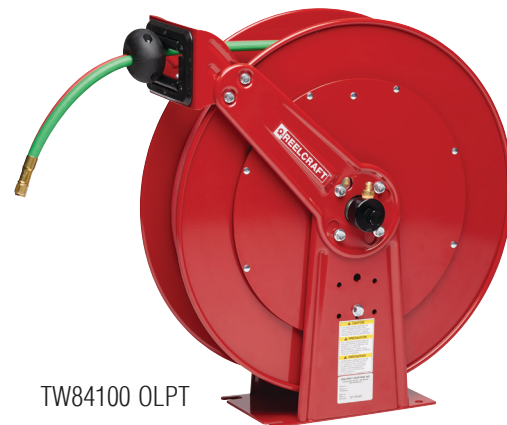


Bevel Crank / Spring Retractable Twin Line Gas Welding Hose Reels Series BA / TW - 1/4", 3/8" I.D.



TW84100 OLPT

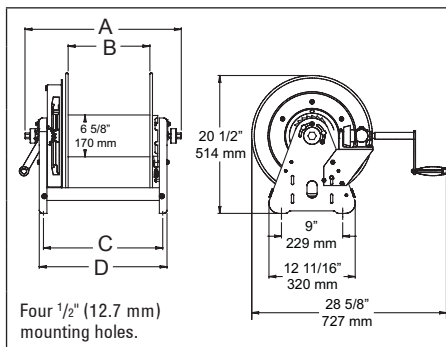
- Designed to handle various lengths of oxygen/acetylene or T-grade twin line hose
- Double sealed, special molded o-rings prevent leakage
- Swivel inlets are both permanently identified with machined grooves on the gas side to assure proper installation



NOTE: TW7400 OLPT, TW84000 OLPT, and TW86000 OLPT are listed to UL 1351

| Size Index | Size Index | | | | | |
|------------|------------|-----|--------|-----|--------|-----|
| | 1 | | 2 | | 3 | |
| | in | mm | in | mm | in | mm |
| A | 20 1/4 | 514 | 20 1/4 | 514 | 25 3/8 | 645 |
| B | 19 3/4 | 502 | 19 3/4 | 502 | 24 | 610 |
| C | 7 7/8 | 200 | 7 7/8 | 200 | 10 | 254 |
| D | 3 7/8 | 98 | 3 7/8 | 98 | 6 | 152 |
| E | 7 3/8 | 187 | 8 1/2 | 216 | 12 1/4 | 311 |

Series TW5000 reels have four 5/16" (8 mm) diameter mounting holes.



| Size Index | Size Index | | | |
|------------|------------|-----|--------|-----|
| | 4 | | 5 | |
| | in | mm | in | mm |
| A | 15 5/8 | 397 | 21 5/8 | 550 |
| B | 6 | 152 | 12 | 305 |
| C | 9 3/4 | 248 | 15 3/4 | 400 |
| D | 11 | 280 | 17 | 432 |

Length with crank handle removed is 17 3/4" (451 mm).

Dual swivel is an exclusive Reelcraft design

The aluminum dual swivel body is hard coated for wear resistance. This assures positive separation of gases due to its unique design. Available with Series TW5000, TW7000, and TWH70000 reels.

| Model with hose & bumper | Shipping Weight | | Hose I.D. | | Hose O.D. | | Hose Length | | Max Pressure | | Hose Outlet (F) | Reel Inlet | Reel Outlet (M) | Size Index # |
|--|-----------------|----|-----------|----|-----------|----|-------------|----|--------------|-----|-----------------|------------|-----------------|--------------|
| | lbs | kg | in | mm | in | mm | ft | m | psi | bar | in | in | in | |
| Twin Line Welding Gas - Oxygen / Acetylene, Mapp, Propane, Natural, and Fuel Gas (T-Grade) Hose Reels | | | | | | | | | | | | | | |
| TW5425 OLPT | 26 | 12 | 1/4 | 6 | .530 | 13 | 25 | 8 | 200 | 14 | 9/16-18 | 1/4 NPT(F) | 9/16-18 | * |
| TW7450 OLPT ★ | 50 | 23 | 1/4 | 6 | .530 | 13 | 50 | 15 | 200 | 14 | 9/16-18 | 1/4 NPT(F) | 9/16-18 | 1 |
| TW7460 OLPT | 55 | 25 | 1/4 | 6 | .530 | 13 | 60 | 18 | 200 | 14 | 9/16-18 | 1/4 NPT(F) | 9/16-18 | 1 |
| TWHD74085 OLPT | 74 | 34 | 1/4 | 6 | .530 | 13 | 85 | 26 | 200 | 14 | 9/16-18 | 1/4 NPT(F) | 9/16-18 | 2 |
| TW84100 OLPT | 101 | 46 | 1/4 | 6 | .530 | 13 | 100 | 30 | 200 | 14 | 9/16-18 | 9/16-18(M) | 9/16-18 | 3 |
| TW86050 OLPT | 90 | 41 | 3/8 | 10 | .625 | 16 | 50 | 15 | 200 | 14 | 9/16-18 | 9/16-18(M) | 9/16-18 | 3 |
| TW86075 OLPT | 99 | 45 | 3/8 | 10 | .625 | 16 | 75 | 23 | 200 | 14 | 9/16-18 | 9/16-18(M) | 9/16-18 | 3 |

Acetylene and fuel gas (red) inlet 1/4" FPT / oxygen (green) inlet 1/4" FPT. 9/16-18 models above are B size. Acetylene/fuel gas side has a LH thread and the oxygen side has a RH thread. Maximum temperature 150 °F (65 °C). *See page 10 size index 1.

| Model without hose & bumper | Shipping Weight | | Hose Capacity | | | Max Pressure | Reel Inlet | Reel Outlet (M) | Size Index # | | | | |
|--|-----------------|----|---------------|------|--------|--------------|------------|-----------------|--------------|----|--------------|---------|---|
| | lbs | kg | I.D. | O.D. | Length | | | | | | | | |
| | in | mm | in | mm | ft | psi | in | in | | | | | |
| Twin Line Welding Gas - Oxygen / Acetylene, Mapp, Propane, Natural, and Fuel Gas (T-Grade) Hose Reels | | | | | | | | | | | | | |
| TW7400 OLPT | 43 | 20 | 1/4 | 6 | .530 | 13 | 60 | 18 | 200 | 14 | 1/4 NPT(F) | 9/16-18 | 1 |
| BA36106 LT* | 50 | 23 | 1/4 | 6 | .530 | 13 | 125 | 38 | 200 | 14 | 1/4 NPT(F) | 9/16-18 | 4 |
| BA36112 LT* | 57 | 26 | 1/4 | 6 | .530 | 13 | 250 | 76 | 200 | 14 | 1/4 NPT(F) | 9/16-18 | 5 |
| TW84000 OLPT | 81 | 37 | 1/4 | 6 | .530 | 13 | 100 | 30 | 200 | 14 | 9/16 - 18(M) | 9/16-18 | 3 |
| TW86000 OLPT | 86 | 39 | 3/8 | 10 | .625 | 16 | 75 | 23 | 200 | 14 | 9/16 - 18(M) | 9/16-18 | 3 |

Maximum temperature 150 °F (65 °C). *Bevel crank model.

Inlet & Outlet Hoses
See page 31

Pivot Bases & Swing Brackets
See page 39

Models with a ★ icon are our most popular models.

Interactive Reel Catalog
Visit reelcraft.com/catalog for complete product specifications, parts, and accessories.