



## INSTALLATION, OPERATION, & MAINTENANCE MANUAL



### MODELS:

**SDPL-8000 & SDPL-8000XLT 4-POST LIFTS**

**⚠️ FOLLOW THIS MANUAL CAREFULLY TO ENSURE THE EQUIPMENT WILL FUNCTION CORRECTLY AND PROVIDE MANY YEARS OF DEPENDABLE SERVICE. FAILURE TO FOLLOW THESE INSTRUCTIONS AND SAFETY WARNINGS MAY RESULT IN PERSONAL INJURY OR PROPERTY DAMAGE. KEEP THIS MANUAL IN A SAFE DRY PLACE FOR FUTURE REFERENCE.**



**Products May Be  
Upgraded Without Notice  
Please Visit**

**WWW.TITANLIFTS.COM**

**For The Latest Version Of  
This Manual**

# CONTENTS

<b>1-SAFETY</b> .....	<b>2</b>
1.1 INTRODUCTION .....	2
1.2 SAFETY INSTRUCTIONS FOR COMMISSIONING .....	2
1.3 SAFETY INSTRUCTIONS FOR OPERATION .....	2
1.4 SAFETY INSTRUCTIONS FOR MAINTENANCE .....	4
1.5 RISKS .....	4
<b>2-UNPACKING &amp; SET-UP</b> .....	<b>5</b>
2.1 DELIVERY AND CHECK OF PACKAGES .....	5
2.2 LIFTING AND HANDLING .....	5
<b>3-SPECIFICATIONS</b> .....	<b>6</b>
<b>4-FLOOR REQUIREMENTS</b> .....	<b>10</b>
4.1 SELECTING THE SITE AREA .....	10
4.2 FLOOR REQUIREMENTS .....	10
4.3 ANCHORING TIP SHEET .....	11
<b>5-INSTALLATION INSTRUCTIONS</b> .....	<b>11</b>
5.1 COLUMNS AND CROSSBARS .....	12
5.2 RUNWAY INSTALLATION .....	13
5.3 CABLE INSTALLATION .....	13
5.4 LOCK LINKAGE ASSEMBLY .....	14
5.5 HYDRAULIC ASSEMBLY .....	16
5.6 FINAL ADJUSTMENTS .....	16
<b>6-OPERATION INSTRUCTIONS</b> .....	<b>18</b>
6.1 DEFECTS / MALFUNCTIONS .....	18
6.2 CONTROLS .....	18
6.2.1 UP CONTROL .....	18
6.2.2 SAFETY LOCK CONTROL .....	18
6.2.3 LOWERING CONTROL .....	18
6.3.1 VEHICLE LOADING .....	19
6.3.2 RAISING THE LIFT .....	19
6.3.3 LOWERING THE LIFT .....	19
<b>OPTIONAL CASTER KIT</b> .....	<b>20</b>
<b>7-MAINTENANCE</b> .....	<b>20</b>
7.1 MAINTENANCE SCHEDULE .....	20
7.1.1 DAILY .....	21
7.1.2 WEEKLY .....	21
7.1.3 YEARLY .....	21
7.1.4 SPECIAL MAINTENANCE TASKS .....	21
7.2 MAINTENANCE BY OPERATOR .....	22
7.2.1 HYRDAULIC SYSTEM .....	22
7.2.2 GREASING POINTS .....	22
7.2.3 OPERATION AND WEAR CHECKS .....	22
7.2.4 LIFT STABILITY .....	22
7.3 CLEANING .....	23
<b>8-TROUBLESHOOTING</b> .....	<b>23</b>
<b>9-DIAGRAMS/PARTS</b> .....	<b>25</b>



**TITAN MARKETING, LLC**

PO Box 7069 Greenwood, IN 46142  
1.888.908-4826 FAX (317) 215.2770  
www.titanlifts.com

To Our Valued Customers:

Thank you for purchasing a Titan Lifts® product. We hope this high quality equipment provides you with years of dependable service.

It is unfortunate that rare situations may occur with the products you purchase from Titan Lifts®. We value your business as well as the trust you have and need to maintain your relationship with us. Titan Lifts® carries liability coverage that may protect our customers if a situation does occur. However, as in all accidents there must be proof of liability for a claim to be made. Our insurance company requires the following procedures be observed in order to consider a claim:

- A. The claimant must contact the Titan Lifts® distributor immediately with the facts of the situation.
- B. If any equipment is damaged, including vehicles or shop equipment, Titan Lifts® must be given the opportunity to send an impartial representative to the site for proper assessment of the situation.
- C. The Vehicle cannot be moved until either an impartial representative has reviewed the accident or clear and precise pictures are taken that reflect all the pertinent information for an impartial representative to be able to access the information from a distance. Titan Lifts® or its representatives must approve the pictures before anything can be moved.
- D. If any potential liability is determined on behalf of Titan Lifts®, two estimates must be submitted for damages to be reimbursed.

It is imperative that the claimant complies with these procedures, because without proper assessment of the situation a claim will be denied.

#### ARBITRATION NOTICE

The installation or use of this equipment shall constitute an acknowledgement that the user agrees to resolve any and all disputes or claims of any kind whatsoever, which relate in any way to the equipment, by way of binding arbitration, not litigation. No suit or legal action may be filed in any state or federal court. Any arbitration shall be governed by the Federal Arbitration Act, and administered by the American Mediation Association, Indianapolis Indiana. The maximum amount that an arbitrator may award and all damages shall not exceed the retail value of this equipment.

#### WARRANTY NOTICE

This equipment must be installed by a "Professional Installer" assembled and used in the manner according to the documentation provided to be covered by warranty.


Damaged or missing components must be reported within 72 hours of receipt to your freight carrier and to the distributor. Claims must be filed to cover cost.

If you have any questions or if we can be of any further assistance, please don't hesitate to contact a Titan Lifts® representative at 1-888-908-4826. Thank you for the opportunity to continue to serve your lift equipment needs.

# INSTRUCTIONS

## 1-SAFETY

### 1.1 INTRODUCTION

 **WARNING:** READ ENTIRE MANUAL AND COMPLY WITH ALL SAFETY AND SERVICE PRECAUTIONS. DEATH, PERSONAL INJURY AND / OR PROPERTY DAMAGE MAY OCCUR IF INSTRUCTIONS ARE NOT FOLLOWED CAREFULLY.

Personal injury and property damage incurred due to non-compliance with these safety instructions are not covered by the product liability regulations.

### SYMBOLS

 **FAILURE TO COMPLY WITH INSTRUCTIONS COULD RESULT IN PERSONAL INJURY.**

 **FAILURE TO COMPLY WITH INSTRUCTIONS COULD RESULT IN PROPERTY DAMAGE.**

 **IMPORTANT INFORMATION**


### 1.2 SAFETY INSTRUCTIONS FOR COMMISSIONING


- The lift may be installed and commissioned by authorized service personnel only.
- The standard lift version may not be installed and commissioned in the vicinity of explosives or flammable liquids, outdoors or in moist rooms (e.g. car wash).


### 1.3 SAFETY INSTRUCTIONS FOR OPERATION

- Read this entire manual.
- Load should not exceed rated capacity for this lift – 8,000 lb
- Only trained authorized personnel over the age of 18 years should operate the lift.
- Indoor use recommended.
- Never use the lift to raise one end or one side of vehicle.

- Maintain a safe working environment. The work area should be clean, dry, clutter free, and sufficiently lit.
- Vehicle doors should be closed during the raising and lowering cycles.
- Closely watch the vehicle and lift during the raising and lowering cycles.
- Do not operate the lift in explosive atmospheres, such as in the presence of flammable liquids, gases, or dust. Power equipment can create sparks which may ignite flammables.
- Keep hands, tools, and other extremities from under carriage and moving parts.
- Never operate this lift with someone on it.
- Do not allow anyone on the lift or inside a raised vehicle.
- Keep children and bystanders away from work area. Do not let children operate or play on lift.
- Wear proper safety attire. Do not wear loose fitting clothing while operating lift. Long hair, jewelry and sleeves should be secured.
- Do not operate this lift if under the influence of drugs, alcohol, or medication. Operator must be alert at all times when using heavy lift equipment.
- Comply with all applicable accident prevention regulations.
- After positioning the vehicle, apply the parking brake.
- Use caution when removing or installing heavy vehicle components which may result in center-of-gravity displacement.
- Use this lift only for the work it is intended. Do not use this product for an application for which it was not designed. Misuse can lead to personal injury and/or property damage.

 **WARNING:** Use this lift only in well ventilated areas. Carbon monoxide exhausted from running vehicle engines is a colorless, odorless fume that, if inhaled, can cause serious personal injury or death.

 **WARNING:** People with pacemakers should consult their physician(s) before using this product. Operation of electrical equipment in close proximity to a heart pacemaker could cause interference or failure of the pacemaker.

 **WARNING:** This product contains or produces a chemical known to the State of California to cause cancer and birth defects (or other reproductive harm). (California Health & Safety Code 25249.5 et seq.)

## 1.4 SAFETY INSTRUCTIONS FOR MAINTENANCE

- Maintenance or repair work should be done by authorized service personnel only.
- Work on the electrical equipment should be done by certified licensed electricians only.
- Ensure that ecologically harmful substances are disposed of in accordance with the appropriate regulations.
- To prevent the risk of damage, do not use high pressure / steam jet cleaners or caustic cleaning agents.
- Do not replace or override the safety devices.

## 1.5 RISKS



**WARNING:** Risks the personnel could encounter, due to an improper use of the lift, are described in this section.

### CRUSHING RISK

During lowering of runways and vehicles, personnel must not be within the area covered by the lowering trajectory. The operator must be sure no one is in danger before operating the lift. Stay clear of the lift when lowering or raising vehicles. Keep hands and feet away from moving parts and especially points that could pinch. Keep your feet clear of the lift when raising and lowering vehicles.

### BUMPING RISK

When the lift is stopped at relatively low working height, the risk of bumping against projecting parts increases. Always be aware of your surroundings and avoid bumping your head or body on the lift or the vehicle.

### TILTING RISK

Use caution when lowering the lift and make sure the tracks stay level with the safety locks.

# **2-UNPACKING & SET-UP**

Only skilled personnel who are familiar with the lift and this manual shall be allowed to carry out, lifting, handling, transport and unpacking operations.

## **2.1 DELIVERY AND CHECK OF PACKAGES**

When the lift is delivered, carefully unpack the lift making sure all the parts have been included. Check for possible damages due to transport and storage; verify that what is specified in the confirmation of order is included. In case of damage in transit, the customer must immediately inform the carrier of the problem.

Remove the lift and all parts from delivery pallet and place on a clean, solid, flat surface. Packages must be opened paying attention not to cause damage to people (keep a safe distance when opening straps) and parts of the lift (be careful the objects do not drop from the package when opening.)

## **2.2 LIFTING AND HANDLING**

When loading/unloading or transporting the equipment to the site, be sure to use suitable loading (e.g. cranes, trucks) and hoisting means. Be sure to hoist and transport the components securely so that they cannot drop, taking into consideration the package's size, weight, center of gravity, and its fragile parts.



**LIFT AND HANDLE ONLY ONE PACKAGE AT A TIME**



# 3-SPECIFICATIONS

\*Due to minor variances in the manufacturing process, dimensions in this manual may vary slightly from the finished product.

Specifications	SDPL-8000	SDPL-8000XLT
Center Of Baseplates - Width	93"	99-1/4"
Outside Of Baseplates - Width	103-1/2"	109-1/2"
Outside Of Columns - Width	100-3/4"	106-3/4"
Inside of Columns - Width	94-3/8"	100-3/8"
Overall Width w/Motor	114-3/4"	120-3/4"
Drive-Thru	80"	86-1/2"
Between Runways	37-1/2"	43-1/4"
Out To Out - Runways	74-3/4"	80-3/4"
Length of Runway	165-1/2"	180-1/2"
Width of Runway	18-5/8"	18-5/8"
Total Length of Ramp	37"	37"
Baseplate Dimensions	10-1/4" x 12"	10-1/4" x 12"
Column Dimensions	3-1/4" x 6"	3-1/4" x 6"
Center Of Baseplates - Length	163-1/2"	178-1/2"
Outside Of Baseplates - Length	175-1/2"	190-1/2"
Outside Of Columns - Length	169-3/4"	183-1/2"
Inside Of Columns - Length	157-3/4"	171"
Overall Length w/Ramps	208-5/8"	226-1/2"
Lifting Height	4-3/4" - 74-3/4"	4-3/4" - 82-1/4"
Overall Height	86-7/8"	94-3/4"
Lifting Capacity	8,000 lb	8,000 lb
Net(Gross)Weight	1,643 lb (1,698 lb)	1,753 lb (1,808 lb)
Electricity	110V-120V, 60Hz, 3HP/Single Phase, 3 prong power plug, 20AMP	

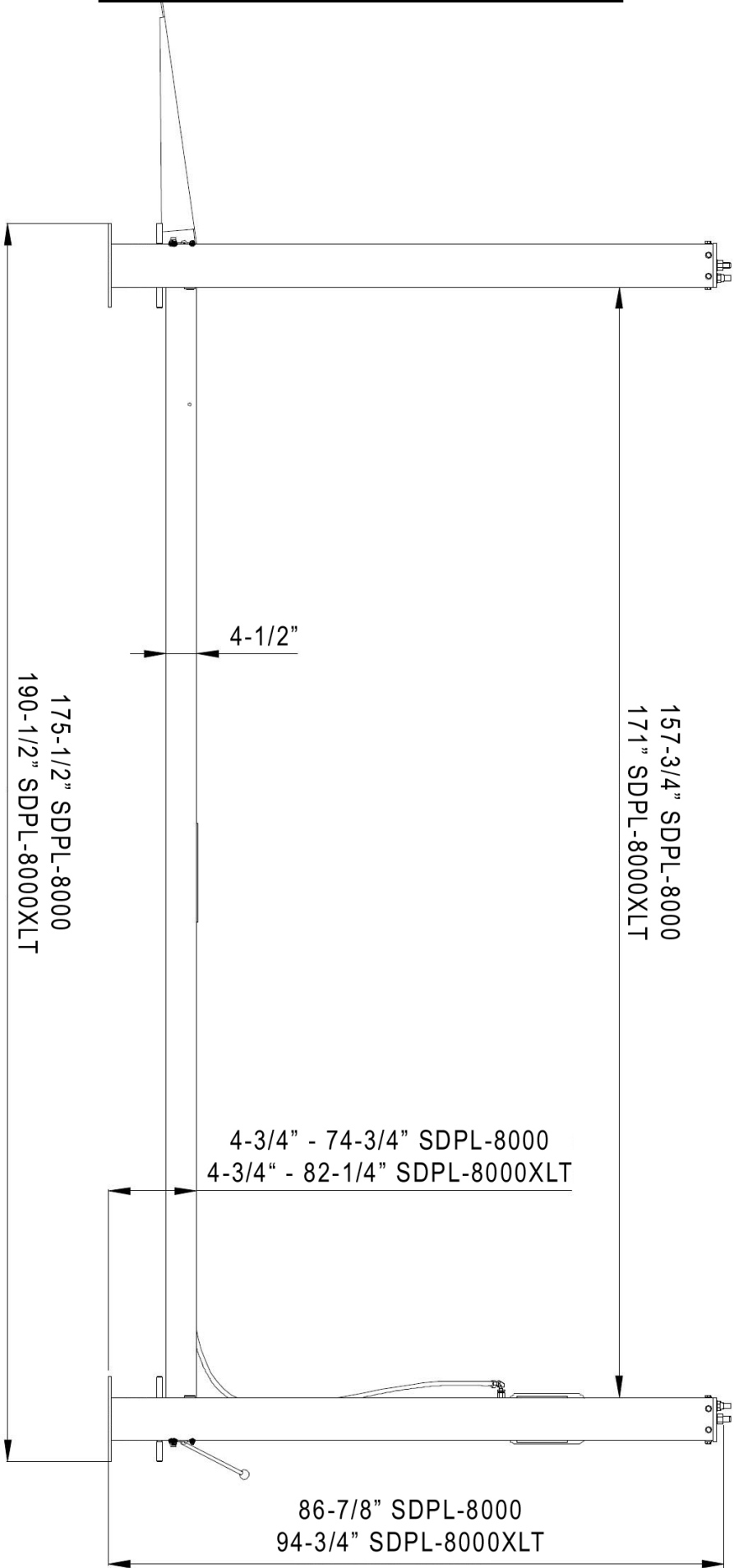


**IMPORTANT: THE PROPERTIES INDICATED APPLY TO LIFTS RUNNING AT OPERATING TEMPERATURE.**

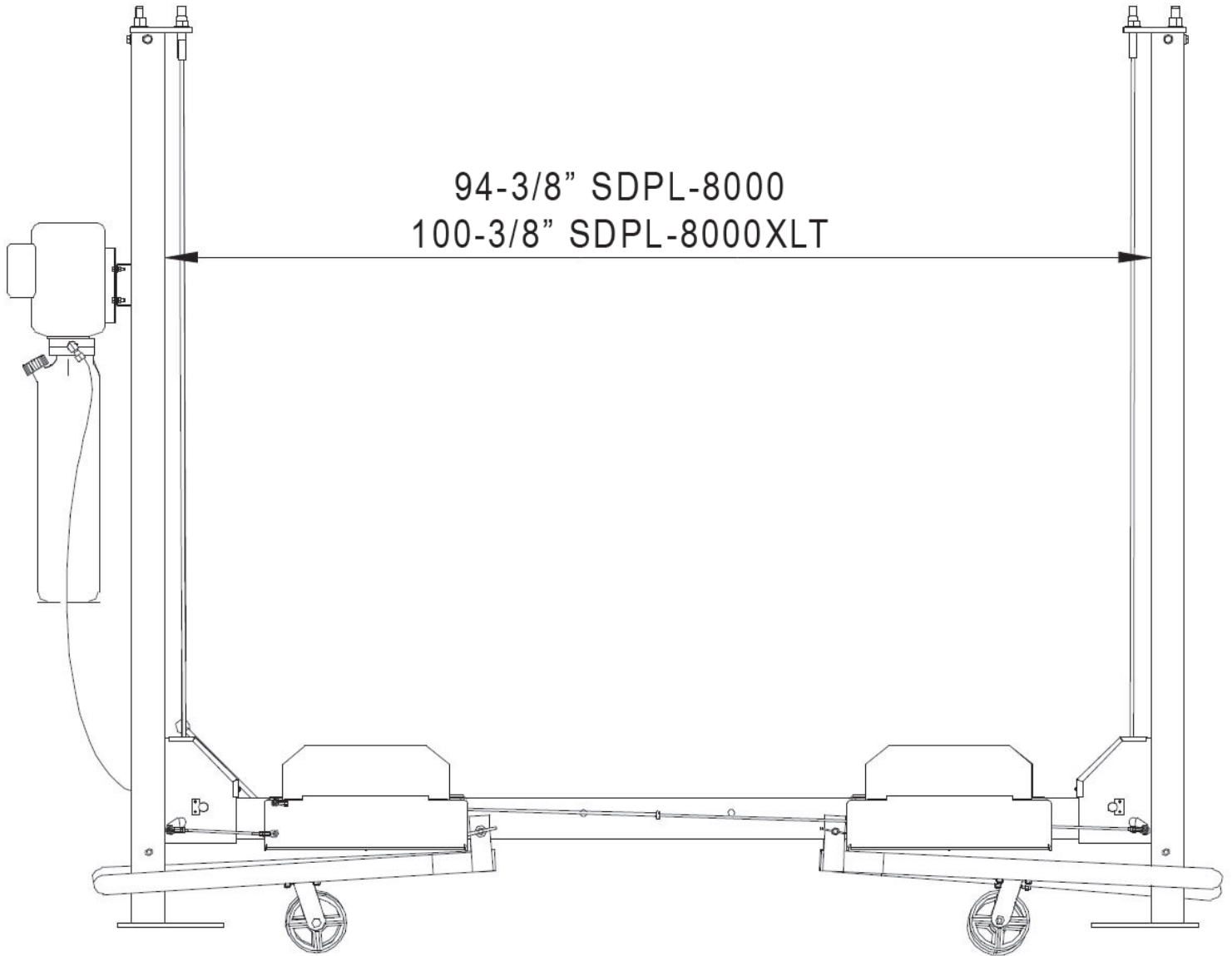


**IMPORTANT: COMPONENTS AND SPECIFICATIONS ARE SUBJECT TO CHANGE WITHOUT NOTICE.**

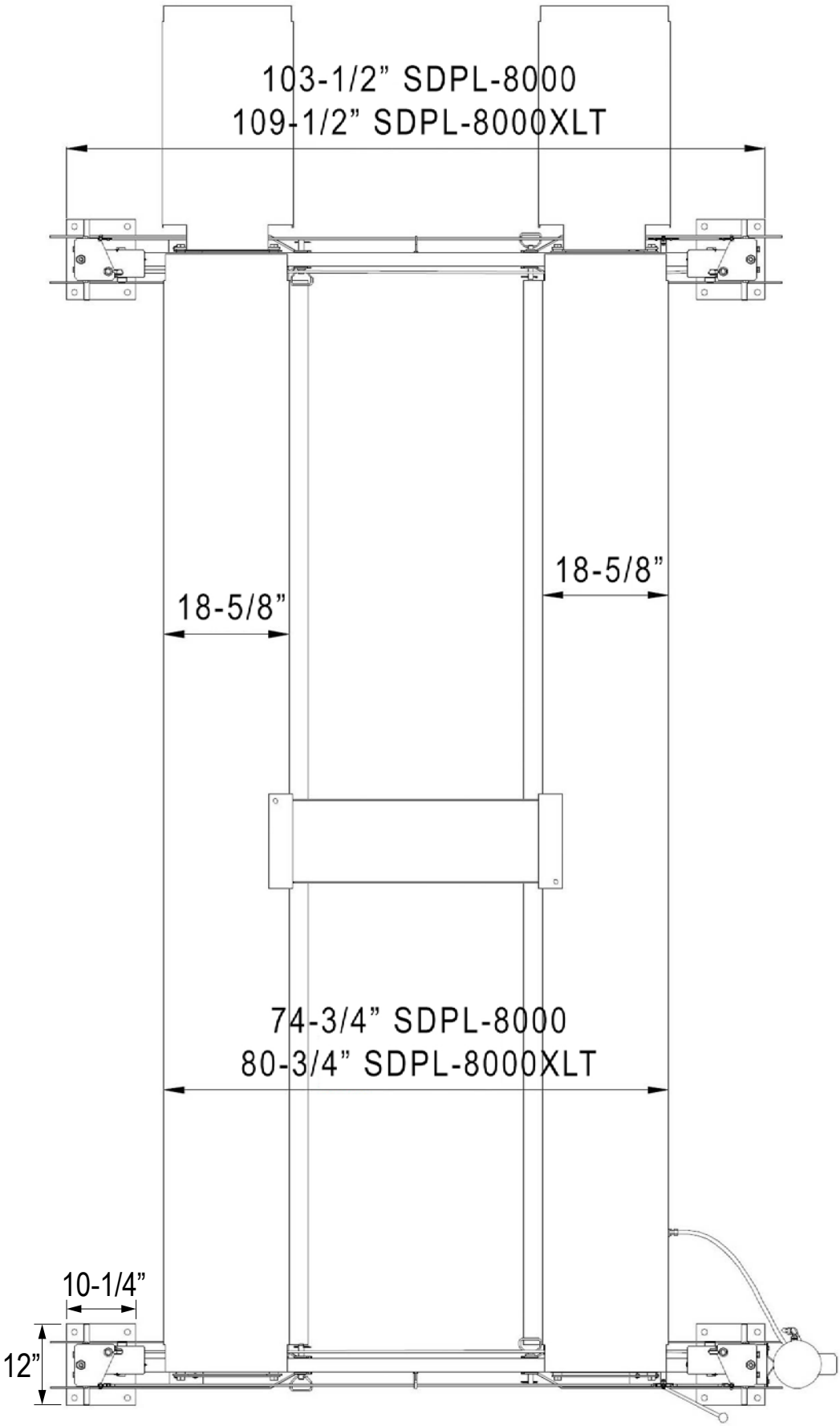
# DIMENSIONS - SIDE



# DIMENSIONS - END



# DIMENSIONS - OVERHEAD



# 4-FLOOR REQUIREMENTS


**NOTE:** This lifts does not require bolting to the floor (BUT) if you choose the option to anchor the lift to the floor, please follow the below instructions in this manual.

## 4.1 SELECTING THE SITE AREA

1. Make sure that adequate space and height is available.
2. Check for ceiling clearance (lifting height plus vehicle height).
3. Check for clearance in front and rear of vehicle on lift.
4. Check for overhead garage door clearance.

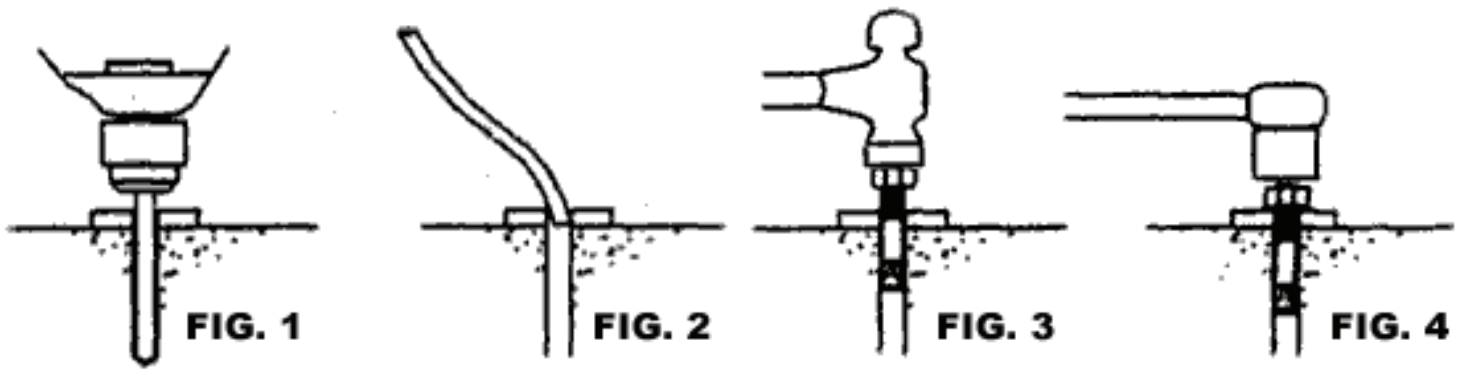
## 4.2 FLOOR REQUIREMENTS

Do not use the lift on any asphalt surface. Make sure the lift is used on a dry, oil/grease free, flat level CONCRETE surface capable of supporting the weight of the lift, the vehicle being lifted, and any additional tools and equipment. The concrete floor surface should have a minimum thickness of 4". The concrete must have a minimum strength of 3,000 PSI, and should be aged at least 30 days prior to use. Do not use the lift on concrete expansion seams or on cracked, defective concrete.

 **WARNING: SPECIFICATIONS OF CONCRETE MUST BE ADHERED TO. FAILURE TO DO SO COULD CAUSE LIFT FAILURE RESULTING IN PERSONAL INJURY OR DEATH. THE FLOOR SHOULD BE A REINFORCED CONCRETE SLAB NOT LESS THAN 4" THICK WITH THE COMPRESSIVE STRENGTH OF THE CONCRETE NO LESS THAN 3,000 PSI.**

 **DANGER: FOR CORRECT INSTALLATION OF THE LIFT, THE FLOOR MUST BE FLAT AND LEVEL. CHECK WITH STRAIGHT EDGE AND LEVEL. IF A FLOOR IS OF QUESTIONABLE SLOPE, CONSIDER A SURVEY OF THE SITE AND/OR THE POSSIBILITY OF POURING A NEW LEVEL CONCRETE SLAB.**

 **IMPORTANT: NEW CONCRETE MUST BE ADEQUATELY CURED AT LEAST 30 DAYS MINIMUM. NO LIABILITY FOR ANY DAMAGES WILL BE ACCEPTED SHOULD YOU INSTALL THE LIFT ON AN UNSUITABLE FLOOR.**



### 4.3 ANCHORING TIP SHEET

1. Use a concrete hammer drill with a carbide tip, solid drill bit the same diameter as the anchor, 3/4". (.775 to .787 inches diameter). **Do not use excessively worn bits or bits which have been incorrectly sharpened.**
2. Keep the drill perpendicular to the concrete while drilling.
3. Let the drill do the work. Do not apply excessive pressure. Lift the drill up and down occasionally to remove residue to reduce binding.
4. Drill the hole for anchor bolt completely through the concrete. If an error is made during the installation of these anchors, this will allow for the anchor bolt to be driven down into the ground, so that a new anchor may be installed in place (fig.1).
5. **Be sure to clean all dust from hole.** (fig. 2).
6. Place a flat washer and hex nut over threaded end of anchor, leaving approximately 1/4 inch of thread exposed above the nut (fig. 3). Carefully tap anchor into the concrete until nut and flat washer are against base plate. Be sure to only tap the top of the anchor and not the nut. This could cause damage to the threads of the anchor.
7. Tighten the nut (fig. 4) to **85 ft-lbs** of torque.



**DO NOT USE AN IMPACT WRENCH TO TIGHTEN ANCHORS!**

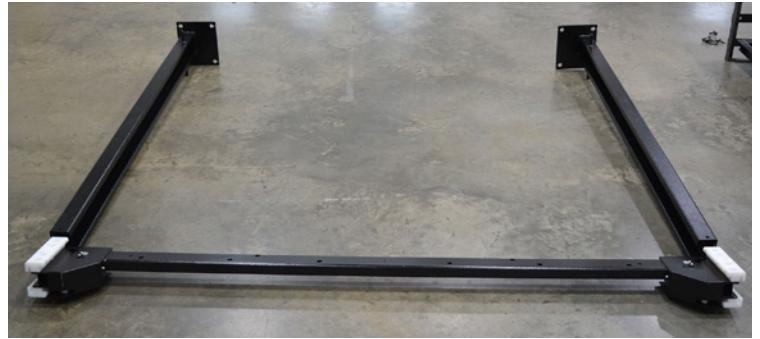
## 5-INSTALLATION INSTRUCTIONS



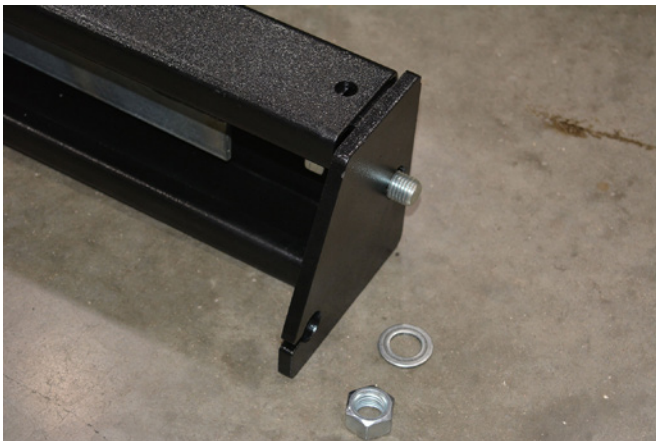
**IMPORTANT: BEFORE ATTEMPTING TO ASSEMBLE THIS LIFT TO MAKE SURE THAT THERE IS ENOUGH ROOM FOR ALL COMPONENTS. THE SAFETY ROD ASSEMBLY WILL TAKE UP ADDITIONAL SPACE WHILE BEING INSTALLED. KEEP THE FLOOR AREA CLEAR OF THE LIFT COMPONENTS UNTIL THEY ARE READY TO BE INSTALLED.**

## 5.1 COLUMNS AND CROSSBARS

- 1) Locate the four columns and two crossbars. Determine where the power unit is to be placed (front driver side or rear passenger side) and place the column with the bracket in that location. The directions in this guide assume that the power unit will be placed in the front driver side position. **Before moving to step #2...Please make sure all bolts on the white slide blocks on the crossbars are tight before inserting them into the columns.**
- 2) Lay columns down on their side and place the CROSSBEAM (#67) into the columns, from the top all the way to the bottom. You will need to do this for both crossbeams. **NOTE:** Be sure to orient the cross bar to where the window for the PRIMARY SAFETY LOCK (#32) is facing toward the outside of the lift.



- 3) With the columns still on their sides, slide the SAFETY LOCK LADDER (#5) into each column and through the slot on the each end of the CROSSBEAM (#67). Once all lock ladders are in place, remove the upper HEX NUT (#7) and FLAT WASHER (#8) from the lock ladder stud, install the TOP CAPS (#3/#4) onto the lock ladder stud and into each column, then replace the HEX NUT and FLAT WASHER and tighten until the lock ladder stud is flush with the top of the HEX NUT (#6). Using the supplied hardware (#9/#10/#11/#12), secure the TOP CAPS onto the columns. Be sure that the mounting hole for the cable is facing towards the inside of the lift, then thread the lower HEX NUT (#6) on each lock ladder stud UP until it makes contact with the TOP CAP.
- 4) Stand the columns up-right and raise the both crossbeams to the same lock height so that you can comfortably work under the runways after they are installed.



## 5.2 RUNWAY INSTALLATION

- 1) Before installing runways, make sure that your column and Crossbeam assemblies are standing vertically and set in the proper locations. Also, remember that the ledge running down the side of the runways will always be oriented to the inside of the lift and the CYLINDER-SIDE RUNWAY (#52) goes on the power-unit side of the lift.
- 2) Place the ends of the OFFSIDE RUNWAY (#51) onto the Crossbeams and line up the 3/4" holes in the Crossbeam with the holes in the runway. Using the supplied hardware, place the HEX BOLTS (#44) through the RAMP CLIP (#42), then through the Crossbeam/Runway and fasten it with the supplied washers, lock-washers, and nuts, on both ends of the runway. **REPEAT THIS STEP FOR THE CYLINDER SIDE RUNWAY.**



## 5.3 CABLE INSTALLATION

The cables of this lift are pre-installed and held in place by (6) cable retention bolts located in the **CYLINDER SIDE** runway. **\*You will have to manually extend the ram so that you can get enough slack in the cables to route them to the appropriate columns.\***

- 1) Remove the LOCK NUTS (#99) and FLAT WASHERS (#98) from the CABLES (#94/#95/#96/#97) and route the cables through their respective ends of the runway. You may have to loosen the cable retention bolts to allow clearance for the cable to pass through the end of the runways. (Please refer to cable routing diagram to check that cables are routed properly)
- 2) In order to route the cables around the crossbeam pulleys, you will need to remove the PULLEY COVERS (#14). Start out by removing the SCREW (#16), the (2) SCREWS (#24) that hold the SPINDLE RETAINER PLATE (#25) in place, and the BUSHING (#17) that's attached to the SPINDLE (#20). You will need to slide the SPINDLE outward so that the PULLEY COVER (#14) can clear the SPINDLE for removal. **NOTE:** If you push the SPINDLE out too far, the washers and pulley will fall out. This just needs to be pushed back until it's flush with the PULLEY COVER.
- 3) Route the cables around the PULLEYS (#21) located on each CROSSBEAM, behind the smaller pulley (#41) that operates the slack-safety lock, through the PULLEY COVER, then up through the top cap of the column. Place the FLAT WASHER (#98) and LOCK NUT (#99) on the cable stud and tighten until the LOCK NUT is flush with the top of the cable stud. Re-install PULLEY COVER.





- 4) After installing the cables, be sure to install the six (6) cable retention bolts under the runway and the four (4) cable retention bolts on the crossbeams. These will keep the cables routed securely around the pulleys even if the cables become slacked at any time.



**i IMPORTANT:** Make sure that the SPINDLE RETENTION PLATES (#25) are properly installed so that the pins that go through the pulleys cannot fall out.

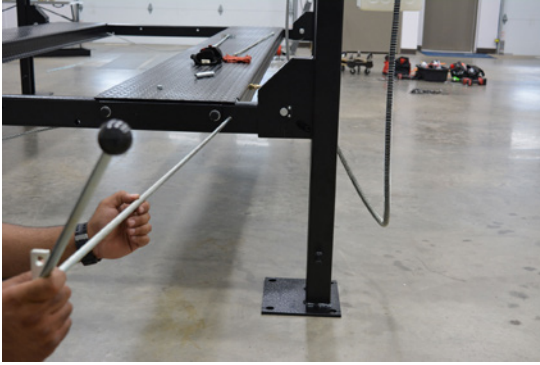
## 5.4 LOCK LINKAGE ASSEMBLY

**i IMPORTANT:** This manual covers installing the power column at the driver's side front position.

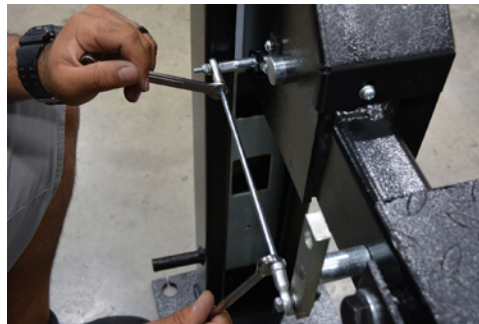
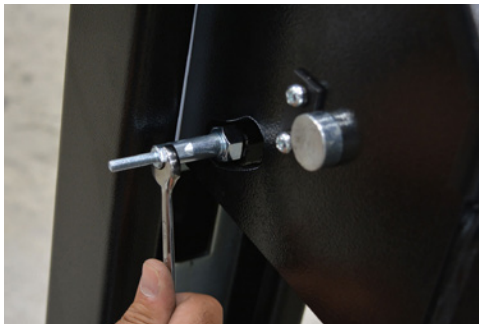
**NOTE:** There are three (3) different sizes of lock linkage rods that connect to operate all four (4) locks from one handle, located by the power unit. The larger 3-piece rods will be installed through the Crossbeams and under the runways. The smaller diameter rods with the short linkage couplings will connect the locks latches to the T handles.

- 1) Remove COUPLING (#74) and nut from HANDLE SECTION of the MAIN LINKAGE ROD (#72) and set them aside. With the Steel Bushing (#73) still on the rod, insert rod into the appropriate hole in the Crossbeam, near the power unit column. Be sure that the linkage rod passes through the guide located on the inside of the runway. **REPEAT THIS STEP FOR THE T-SECTION (#76) AT THE OPPOSITE END OF THE LIFT RUNWAY.**

- 2) Once both ends of the main linkage rods are in place, thread the nuts and couplings back onto each end. Next, remove the nuts from the CENTER SECTION of the main linkage rod (#75), slide it into the guide under the runway, and reinstall the nuts at each end. Thread each end of this rod into the COUPLINGS (#74) on the T-SECTION and HANDLE SECTION of the main linkage rod. Tighten both ends of this linkage so that there is about 1/8" of in/out play. Once you have done this, hold both ends of the linkage rods so that the T-SECTION and HANDLE SECTION are straight up and down (6/12 o'clock), then tighten the jam nuts up against the Couplings (#74) under the runway.



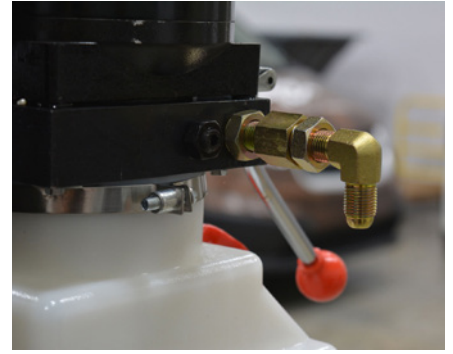
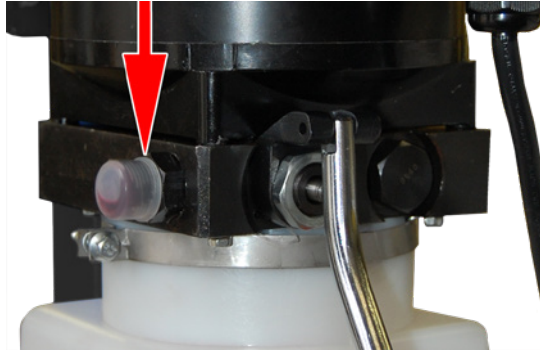
- 3) Locate each LOCK LATCH ARM (#31) and install them into locks at each end of the CROSSBEAMS (#67).
- 4) Locate the LINKAGE SUPPORTS (#69) and thread them approximately 3/8" into the center of each CROSSBEAM (#67), then tighten the 13mm nut to secure it in place.
- 5) Install the smaller diameter LOCK LINKAGE RODS onto each end of the lift. The shorter LINKAGE ROD (#70) will attach to the lower hole of the HANDLE SECTION (#73)/T-SECTION (#76) and then to the LOCK LATCH ARM on the side of the crossbeam. The longer LINKAGE ROD (#68) will go through each LINKAGE SUPPORT (#69), attach to the upper hole of the HANDLE SECTION/T-SECTION, and then to the other LOCK LATCH ARM. Adjust each linkage rod so that there is no side-to-side free play then tighten jam nuts to secure it in place.



## 5.5 HYDRAULIC ASSEMBLY

1) Secure unit to column bracket using provided bolts, washers, lock nuts and nuts.

2) Remove the fitting with the plastic cap from the port on the power unit and connect the hydraulic supply hose to the power unit using the supplied coupling (Teflon not required). Do not overtighten, backing nut & o-ring will complete the seal.



3) On the end of the cylinder hose, located under the runway track (8 & 8.1), remove the backing nut from the bulkhead fitting, insert fitting through hole in the side of the runway track and secure with backing nut.



4) Attach loose end of power unit hose to the bulk head fitting.

**NOTE:** It may be necessary to remove the hydraulic hose from the 90° fitting and re-install in order to remove any twists in the hose.

5) Fill the oil tank reservoir with hydraulic oil, approximately 1 - 2" below the fill cap. Fill the oil tank with a premium quality ISO-32 or AW-32 hydraulic oil. Ensure all hydraulic fittings are tight and not leaking.

## 5.6 FINAL ADJUSTMENTS

**i** **IMPORTANT: PRIOR TO PROCEEDING WITH THE FINAL ADJUSTMENTS PROCESS, PLEASE READ OPERATION INSTRUCTIONS IN SECTION 6.**

1) Plug the hydraulic unit into a standard 110V-120V/60Hz AC outlet. Check to make sure that the cables are properly installed on their pulleys.

2) Press the power unit control button to raise the lift all the way to the top. Disengage the locks and lower the lift all the way down, holding the release lever for an additional 10-20 seconds to ensure that all air gets purged from the system. You will see the air purging back into the tank as the lift reaches the bottom.

- 3) Raise the lift up and lower it onto one of the lock positions at a comfortable working height. Then you will need to use a level to check the platform by placing it on each runway and on each crossbeam. You will need to raise the lock ladders until the platform is level in all directions. This can be done by tightening the top nut on each lock ladder until the bubble is in the center of the vial. Once the adjustments have been made, tighten lower nut of the lock ladder, up against the bottom of the TOP CAPS (#3/#4).



**NOTE FOR XLT MODELS ONLY:** In order to use the caster kit, at least 1 ½” of threads from the SAFETY LOCK LADDER (#5) must be exposed ABOVE the HEX NUT (#7). This will keep the Slack Safety Lock from engaging as the lift lowers down onto the CASTER ASSEMBLIES (#104).

- 4) It is now time to adjust the lifting cables. Raise the lift until all (4) locks are no longer resting on the SAFETY LOCK LADDER (#5). Using the same method as in step 3, tighten the cables until the platform is level. You can also check this by comparing the height from the top of the Crossbeam to the top of the lock ladder opening. This will ensure that all (4) of the lock engage the lock ladders simultaneously.



**NOTE:** Steps 2, 3, and 4 are to be performed with no weight on the lift.

- 5) With the lift in the lowered position, install the APPROACH RAMPS (#53) on the side of the lift that the vehicle will be loaded from. On the opposite end, install the TIRE STOP PLATES (#43). Carefully drive the vehicle onto the runways of the lift (it may not hurt to have a second person there to help guide you onto the lift). Once the vehicle is in place, chock the wheels using the methods you feel necessary, then remove the APPROACH RAMPS and install the other pair of TIRE STOP PLATES.
- 6) You are now ready to raise the vehicle. You may notice that the locks may slightly be “off” which is perfectly normal because for a short period of time, the cables will stretch as the lift gets used. You will need to adjust the cables accordingly so that all (4) locks continue to engage simultaneously.



# 6-OPERATION INSTRUCTIONS



**IMPORTANT: ALWAYS CHOCK WHEELS AND SET PARKING BRAKE BEFORE LIFTING VEHICLE!**



**WARNING: LIFT OPERATION BY TRAINED AUTHORIZED PERSONNEL OVER 18 YEARS ONLY. APPLY THE PARKING BRAKE AFTER POSITIONING THE VEHICLE ON THE LIFT. DO NOT ALLOW ANYONE TO STAY IN LIFT AREA DURING RAISING AND LOWERING CYCLES. CLOSELY WATCH THE VEHICLE AND THE LIFT DURING RAISING AND LOWERING CYCLES. OBSERVE THE RATED LOAD CAPACITY AND LOAD DISTRIBUTION. DO NOT ALLOW ANYONE TO CLIMB ON LIFT OR STAY INSIDE VEHICLE. MAKE SURE THE VEHICLE DOORS ARE CLOSED DURING RAISING AND LOWERING CYCLES.**

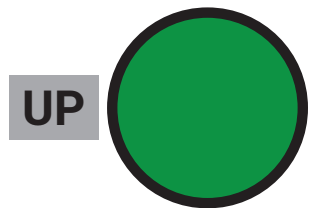
## **6.1 DEFECTS / MALFUNCTIONS**



**WARNING: IN CASE OF DEFECTS OR MALFUNCTIONS SUCH AS JERKY LIFT MOVEMENT OR DEFORMATION OF THE SUPERSTRUCTURE, SUPPORT OR LOWER THE LIFT IMMEDIATELY. CONTACT QUALIFIED SERVICE PERSONNEL.**

## **6.2 CONTROLS**

### **6.2.1 UP CONTROL**



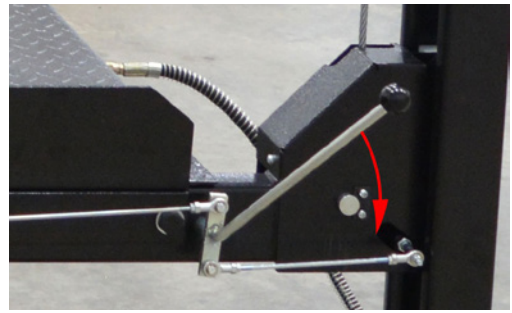
Once the up button is pressed, the lift moves up until the button is released or the limit stop is reached.

### **6.2.2 SAFETY LOCK CONTROL**

1. Press and hold the lowering handle until the safety lock blocks are engaged to level safety stops on the columns.

### **6.2.3 LOWERING CONTROL**

1. Press the up button enough to make the safety lock blocks disengage the safety stops on the columns. Pull and hold the safety lock release handle, and then press the lowering handle until the lift is completely lowered.



### 6.3.1 VEHICLE LOADING

1. Make sure front tire stop plates are in place and, position vehicle on lift runways by having another person guide you onto the runways.
2. Check for proper weight distribution (center of gravity should be evenly distributed between columns).
3. Set vehicle parking brake and chock tires to prevent vehicle movement.
4. Use caution before lifting pickup trucks, suv's and other vehicles. The individual axle weight capacity should not exceed 1/2 of lift capacity.
5. Make sure vehicle is neither front nor rear heavy.
6. Make sure to install all front and rear tire stop plates prior to raising the lift with a vehicle.

### 6.3.2 RAISING THE LIFT

1. Push the up button to raise lift until platform runways clear the floor.
2. Stop and check for vehicle movement and vehicle weight distribution. If secure raise to desired height.
3. Always lower the lift to the nearest lock position by pressing the lowering handle to relieve the hydraulic pressure and let the safety lock blocks set in a handle locked position.
4. Never work under a lift that is not in a level safety locked position.

### 6.3.3 LOWERING THE LIFT

1. Clear all obstacles from under lift and vehicle, and ensure only lift operator is in the lift area.
2. Stay clear of lift and raise the lift off the safety locks.
3. Pull safety lock release handle and press the lowering handle to begin descent.
4. Ensure lift is fully lowered, and remove tire stop plates prior to unloading the vehicle.
5. Make sure to install the ramps.
6. Having another person guide you, carefully unload the lift by driving off of the lift runways.

**⚠ WARNING: PAY ATTENTION TO THE LOWERING SPEED OF ALL FOUR CORNERS. MAKE SURE THEY ARE MOVING DOWN AT THE SAME SPEED. STOP LOWERING THE LIFT BY RELEASING THE LOWERING LEVER ON THE POWER UNIT AND MOVING THE LOCK LEVER TO THE LOCK POSITION IF ANY CORNER STOPS MOVING OR IS SLOWER IN DESCENT. ALWAYS LOCK THE LIFT BEFORE GOING UNDER THE VEHICLE. NEVER ALLOW ANYONE TO GO UNDER THE LIFT WHEN RAISING OR LOWERING.**

**i** **IMPORTANT: IT IS NORMAL FOR AN EMPTY LIFT TO LOWER SLOWLY - IT MAY BE NECESSARY TO ADD WEIGHT.**

**!** **WARNING: THE OPERATOR MUST BE TRAINED AND AUTHORIZED TO OPERATE THE LIFT.**

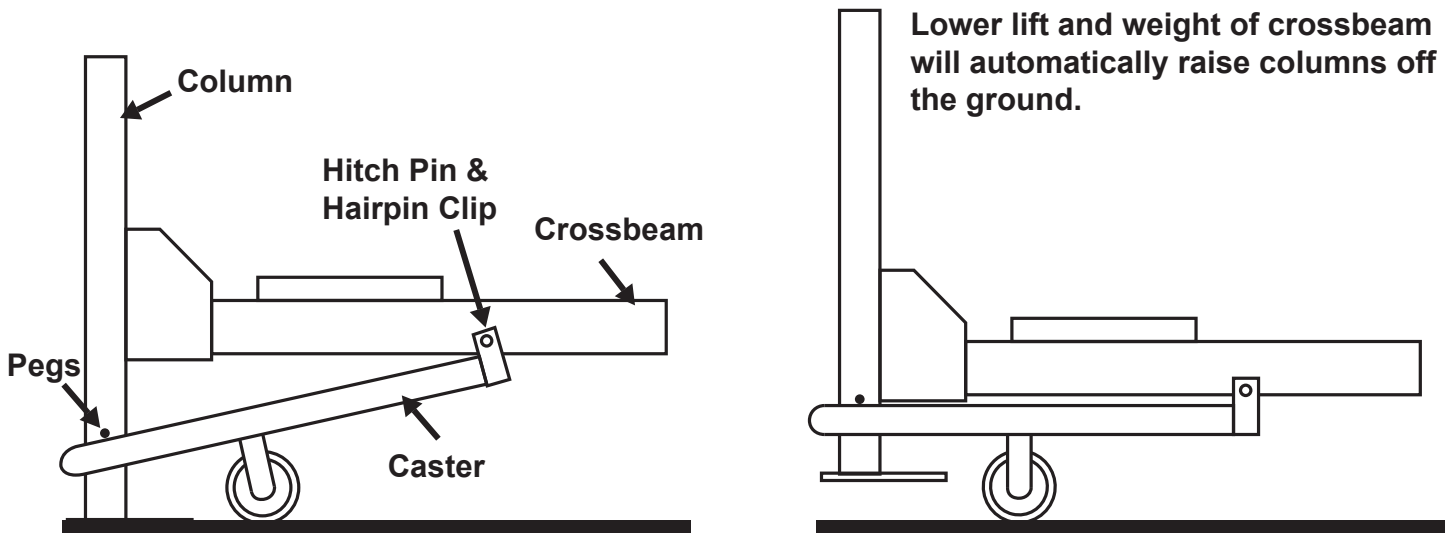
**!** **WARNING: DO NOT GO UNDER VEHICLE UNDER ANY CIRCUMSTANCES WHILE VEHICLE IS BEING LIFTED OR LOWERED.**

## OPTIONAL CASTER KIT

**i** **IMPORTANT: HITCH PIN AND HAIRPIN CLIP TO ATTACH CASTERS TO LIFT IN THE FOLLOWING STEPS.**

1. Raise lift 2' - 3' high.
2. Place caster assemblies under crossbeams as shown. Secure with Hitchpin and Hairpin Clip.
3. Lower the lift and the columns will automatically raise off the floor.

**NOTE: After using the caster kit, always check to ensure that all cables are still routed properly and aligned on the pulleys.**



## 7-MAINTENANCE

**!** **WARNING: DISCONNECT THE POWER BEFORE SERVICING THE LIFT.**

**i** **IMPORTANT: THE MAINTENANCE INTERVALS INDICATED BELOW APPLY TO AVERAGE WORKSHOP USE. THE LIFT SHOULD BE INSPECTED MORE FREQUENTLY FOR SEVERE USE APPLICATIONS.**

### **7.1 MAINTENANCE SCHEDULE**

It is important to keep the lift clean, dry, and well maintained by establishing a periodic preventive maintenance program to ensure trouble-free operation and long service life.

### **7.1.1 DAILY**

1. Check safety lock audibly and visually while in operation.
2. Check safety latches for free movement and full engagement with the safety stops on the column.
3. Check hydraulic connections, and hoses for leakage.
4. Check that all cables are routed properly.
5. Check cables for damage, bends, cracks and any loose cable fittings.
6. Check for frayed cables in both raised and lowered position.
7. Check snap rings at all rollers and sheaves.
8. Check bolts, nuts, and screws and tighten if needed.
9. Check wiring & switches for damage.
10. Check floor for stress cracks near columns.
11. Check lubrication on cable sheaves and shafts.

### **7.1.2 WEEKLY**

1. IF LIFT IS ANCHORED TO FLOOR - Check anchor bolts torque to 85 ft-lbs for the ¾" anchor bolts. Do not use an impact wrench to tighten anchor bolts.
2. Check floor for stress cracks near column.
3. Check hydraulic oil level.
4. Check and tighten bolts, nuts, and screws.
5. Check all cable sheaves/assembly for free movement or excessive wear on cable sheave shaft.
6. Check for any locks and tighten as necessary.

### **7.1.3 YEARLY**

1. Lubricate the cables sheave shaft by using grease gun at least once a year after the lift is in service.
2. Check for excessive wear of cable. Replace them if necessary.
3. Change the hydraulic fluid - good maintenance procedure makes it mandatory to keep hydraulic fluid clean. Operating temperature, type of service, contamination levels, filtration, and chemical composition of fluid should be considered. If operating in dusty environment shorter interval may be required.

### **7.1.4 SPECIAL MAINTENANCE TASKS**

**NOTE:** The following items should only be performed by a trained maintenance expert:

1. Replacement of hydraulic hoses.
2. Replacement of cables and sheaves.
3. Replacement or rebuilding air and hydraulic cylinders as required.
4. Replacement or rebuilding pumps / motors as required.
5. Checking of hydraulic cylinder rod and rod end (threads) for deformation or damage.



## 7.2 MAINTENANCE BY OPERATOR

1. All moving parts have been lubricated at the factory and should be re-lubricated before the first use and at least once every six months to prevent damage.

### 7.2.1 HYRDAULIC SYSTEM

1. Check the fluid level with the lift fully lowered and add fluid as required. Use premium quality ISO-32 or AW-32 hydraulic oil.
2. Visually check all hydraulic hoses and connections for tightness before each use to ensure proper working condition.
3. Lightly oil the cylinder rod at least once every six months or when it becomes dry.



### 7.2.2 GREASING POINTS

#### Slide Tracks:

The slide tracks should be greased every six months (or more frequently in case of noise generation).

Lightly grease the slide tracks over their whole length using a brush.

### 7.2.3 OPERATION AND WEAR CHECKS

Examine lift for structural cracks, bends, or other signs of damage prior to each use. Do not use this product if worn or damaged.

### 7.2.4 LIFT STABILITY

1. Every six months check the nuts of all bolts for tightness.
2. Retighten them as required.

## 7.3 CLEANING



**DANGER: DO NOT USE HIGH PRESSURE / STEAM JET CLEANERS OR CAUSTIC CLEANING AGENTS.**

**RISK OF DAMAGE!**

- **PERIODICALLY WASH OFF AGGRESSIVE SUBSTANCES AND TREAT THE LIFT WITH OIL OR WAX SPRAY.**
- **REPAIR THE DAMAGE TO THE PAINTWORK IMMEDIATELY TO PREVENT CORROSION.**

## 8-TROUBLESHOOTING

### **MOTOR DOES NOT OPERATE**

Failure of the motor to operate is normally caused by one of the following:

1. Breaker or fuse blown.
2. Faulty wiring connections; call electrician.
3. Defective up button; call electrician for service.

### **MOTOR FUNCTIONS BUT LIFT WILL NOT RISE**

If the motor is functioning, but the lift will not rise do the following in the order given:

1. A piece of debris is under check valve. Push handle down and push the up button at the same time. Hold for 10-15 seconds. This should flush the system.
2. Check the clearance between the plunger valve of the lowering handle. There should be 1/16" clearance.
3. Remove the check valve cover and clean ball and seat.



**WARNING:** Failure to properly relieve pressure in the following step can cause injury to personnel. This lift uses ISO Grade 32 or other premium quality grade non-detergent hydraulic oil at a high hydraulic pressure. Be familiar with its toxicological properties, precautionary measures to take, and first aid measures as stated in the Safety Summary before performing any maintenance with the hydraulic system.

4. Oil level too low. Oil level should be just under the vent cap port when the lift is down. Relieve all hydraulic pressure and add oil as required.

## **OIL BLOWS OUT BREATHER OF POWER UNIT**

**If oil blows out of the breather of the power unit, take the following actions:**

1. Oil reservoir overfilled. Relieve all pressure and siphon out hydraulic fluid until at a proper level.
2. Lift lowered too quickly while under a heavy load. Lower the lift slowly under heavy loads.

## **MOTOR HUMS AND WILL NOT RUN**

**If the motor hums but fails to run, take the following actions:**

1. Lift overloaded. Remove excessive weight from lift.



**WARNING:** The voltages used in the lift can cause death or injury to personnel. In the following steps, make sure that a qualified electrician is used to perform maintenance.

2. Faulty wiring                    **Call electrician**
3. Bad capacitor                   **Call electrician**
4. Low voltage                     **Call electrician**

## **LIFT JERKS GOING UP AND DOWN**

1. If the lift jerks while going up and down, it is usually a sign of air in the hydraulic system. Raise lift all the way to top and return to floor. Repeat 4-6 times. Do not let this overheat power unit.

## **OIL LEAKS**

**Oil leaks at the power unit and cylinders are normally caused by the following:**

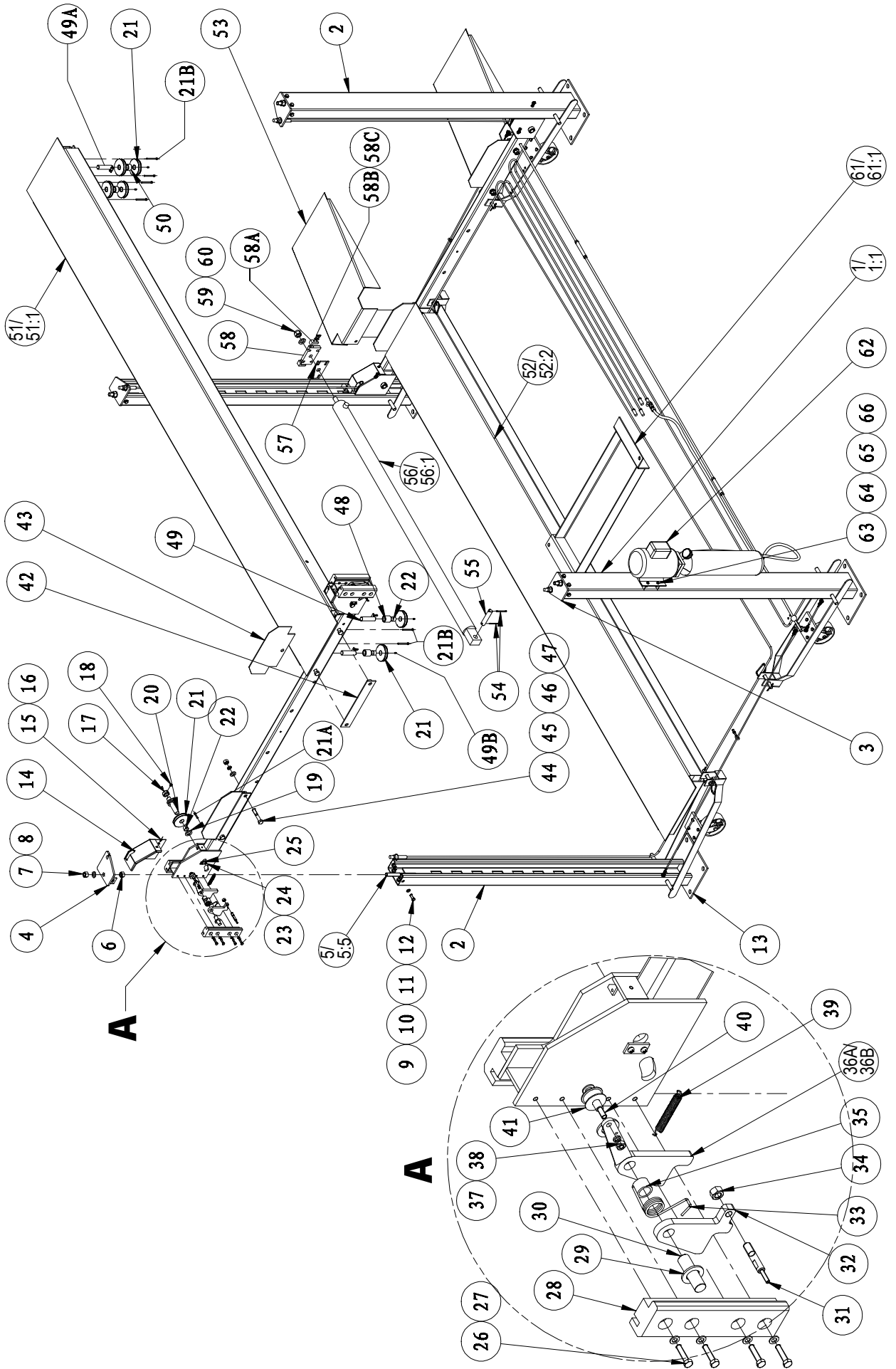
1. Power unit: if the power unit leaks hydraulic oil around the tank-mounting flange check the oil level in the tank. The level should be two inches below the flange of the tank. A screwdriver can be used as a "dipstick".
2. Cylinder - Piston Rod: the rod seal of the cylinder is out. Rebuild or replace the cylinder.
3. Cylinder - Vent: the piston seal of the cylinder is out. Rebuild or replace the cylinder.

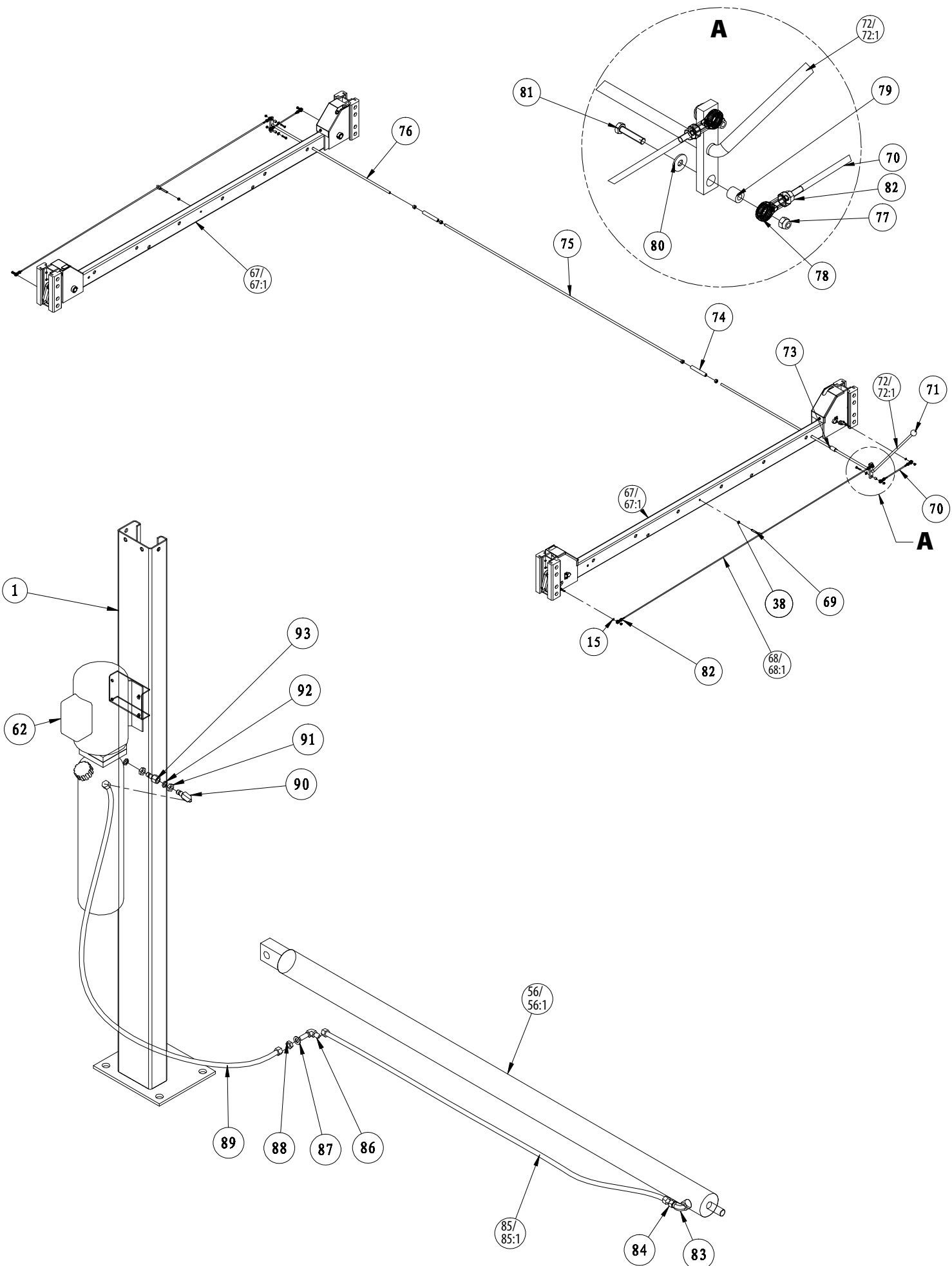
## **LIFT MAKES EXCESSIVE NOISE / VIBRATES**

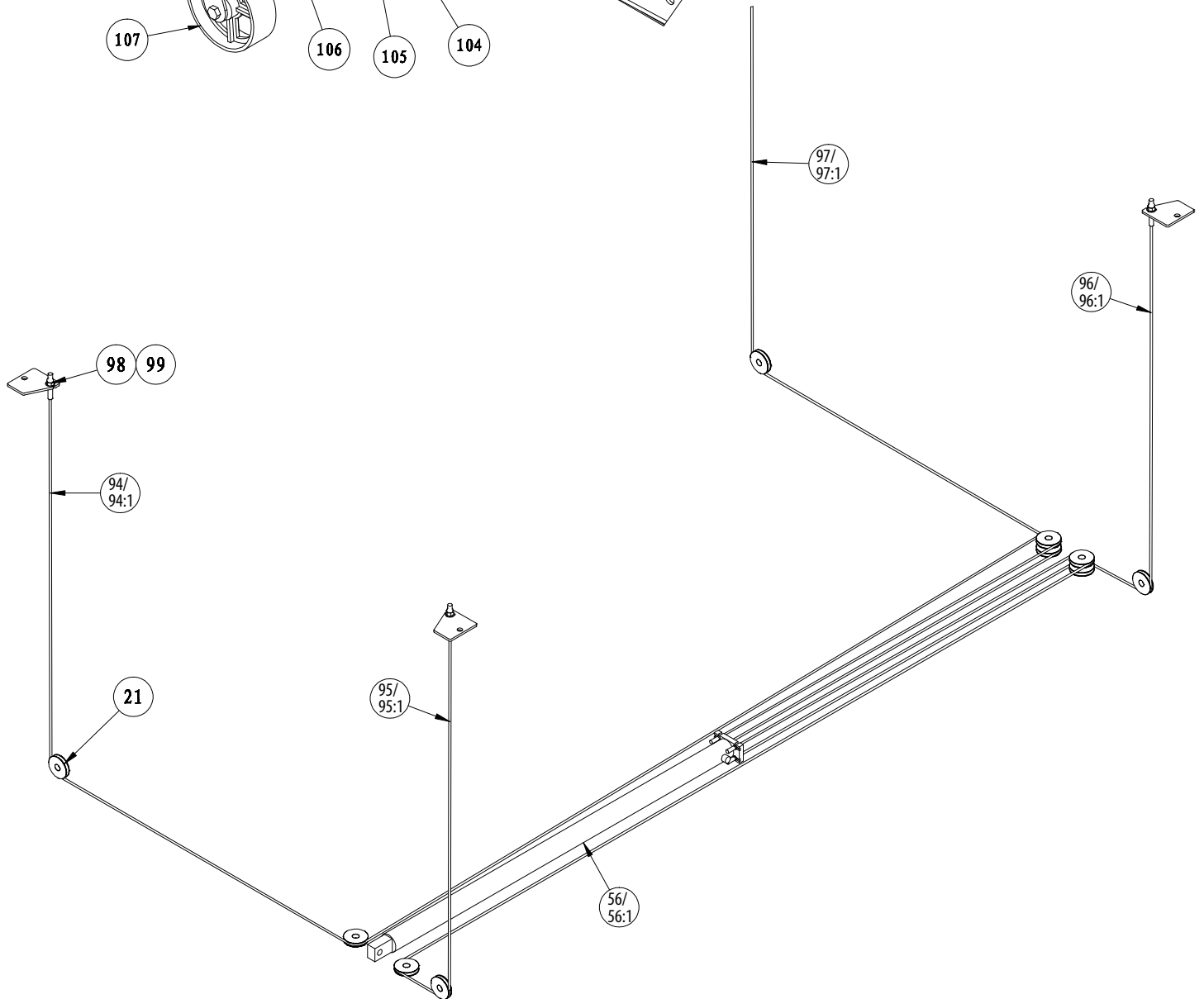
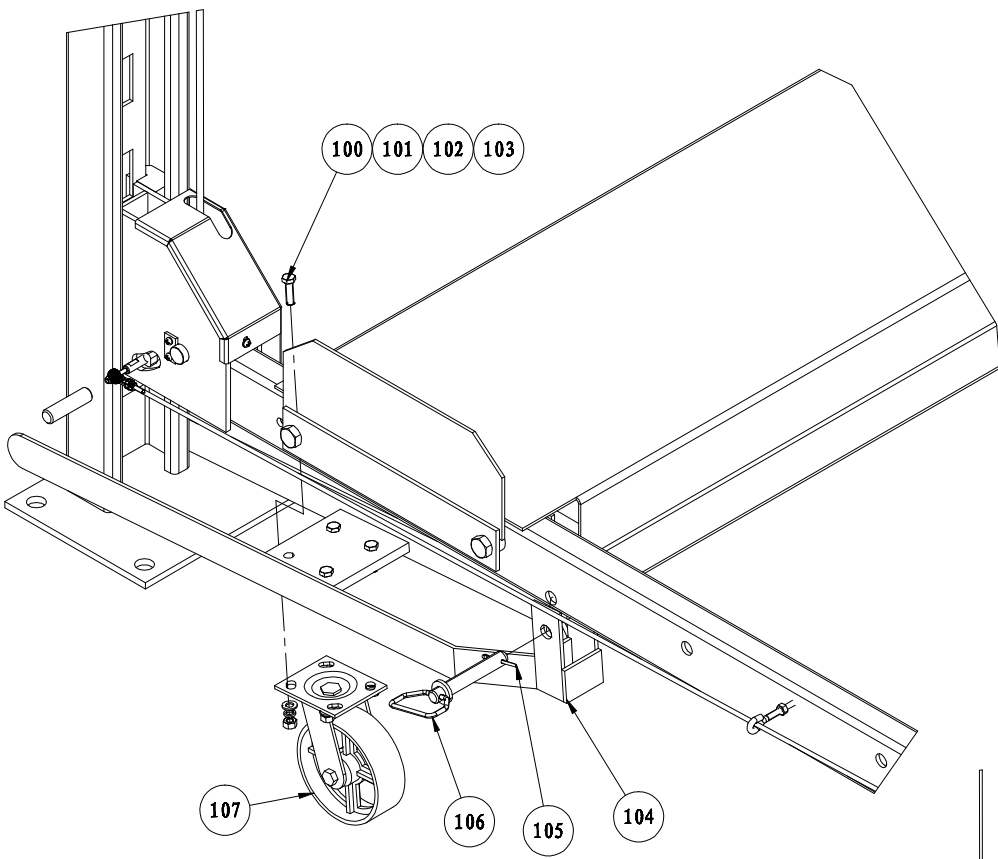
**Excessive noise from the lift is normally caused by the following:**

1. Cross beam ends are rubbing the columns. Readjustment needed.
2. Cylinder too tight, load lift half capacity and cycle up and down a few times to break in. Lift cylinder should quiet down with use. If not contact your Titan Lift Distributor to purchase an Oil Additive.
3. May have excessive wear on cable sheaves or shafts. Replace them.

# 9-DIAGRAMS/PARTS







Part#	Description	QTY	Part#	Description	QTY
1	POWER UNIT COLUMN	1	56	HYDRAULIC CYLINDER	1
1:1	POWER UNIT COLUMN XLT	1	56:1	HYDRAULIC CYLINDER XLT	1
2	COLUMN	3	57	PLATE	1
2:1	COLUMN XLT	3	58	THREADED PLATE	1
3	TOP PLATE 1	2	58A	NYLON SLIDER	2
4	TOP PLATE 2	2	58B	CROSS RECESSED PAN HEAD BOLT	4
5	SAFETY LOCK LADDER	4	58C	FLAT WASHER	4
5:5	SAFETY LOCK LADDER XLT	4	59	NUT - M24	1
6	HEX NUT- M20	4	60	FLAT WASHER - D24	1
7	HEX NUT- M20	4	61	JACK TRAY	1
8	FLAT WASHER- D20	24	61:1	JACK TRAY XLT	1
9	FLAT WASHER - D12	32	62	POWER UNIT	1
10	HEX BOLT- M12X35	16	63	HEX BOLT - M8X25	4
11	LOCK WASHER - D12	16	64	FLAT WASHER - D8	4
12	HEX NUT- M12	16	65	LOCK WASHER - D8	4
13	ANCHOR BOLT- $\phi$ 19	16	66	HEX NUT - M8	4
14	PULLEY COVER	2	67	CROSSBEAM	2
15	LOCK WASHER - D6	24	67:1	CROSSBEAM XLT	2
16	SCREW - M6X12	16	68	LOCK LINKAGE - L=2080	2
17	BUSHING	4	68:1	LOCK LINKAGE - L=2230 XLT	2
18	SET SCREW - M8X12	4	69	LINKAGE SUPPORT	2
19	FLAT WASHER - D24	13	70	LOCK LINKAGE - L=215	2
20	SPINDLE	4	71	BALL HANDLE	1
21	PULLEY	10	72	MAIN LINKAGE ROD (HANDLE SECTION)	1
21A	HEXAGON SOCKET HEAD SCREW	4	72:1	MAIN LINKAGE ROD (HANDLE SECTION) XLT	1
21B	HEXAGON SOCKET HEAD SCREW	6	73	BUSHING	2
22	INTERNAL PULLEY BUSHING	10	74	COUPLING	2
23	LOCK WASHER - D6	8	75	MAIN LINKAGE ROD (CENTER)	1
24	SCREW- M6X12	8	76	MAIN LINKAGE ROD (T-SECTION)	1
25	SPINDLE RETAINER PLATE	8	77	NUT - M6	8
26	HEX BOLT - M8X35	32	78	BEARING - M6	8
27	FLAT WASHER - D8	36	79	SPACER	4
28	NYLON BLOCK	8	80	FLAT WASHER - D6	4
29	FLAT WASHER - D20	8	81	HEX BOLT - M6X30	4
30	SPINDLE	4	82	HEX NUT - M6	8
31	LOCK LATCH ARM	4	83	90* HYDRAULIC FITTING	1
32	PRIMARY SAFETY LOCK	4	84	CONTROL VALVE	1
33	TENSION SPRING	4	85	HYDRAULIC HOSE	1
34	HEX NUT - M12	8	85:1	HYDRAULIC HOSE XLT	1
35	BUSHING	4	86	90* MALE/MALE FITTING	1
36A	SECONDARY SLACK SAFETY LOCK A	2	87	FLAT WASHER - D14	1
36B	SECONDARY SLACK SAFETY LOCK B	2	88	NUT	1
37	LOCK WASHER - D8	8	89	HYDRAULIC HOSE	1
38	HEX NUT - M8	10	90	90* HYDRAULIC FITTING	1
39	SPRING	8	91	NUT	2
40	PULLEY SPINDLE	4	92	WASHER	2
41	SMALL PULLEY	4	93	STRAIGHT HYDRAULIC FITTING	1
42	RAMP CLIP	4	94	Steel cable A - L=8175 (321.85")	1
43	TIRE STOP PLATE	4	94:1	Steel cable A - L=8900 (350.39") XLT	1
44	HEX BOLT - M18X100	8	95	Steel cable B - L=6750 (265.75")	1
45	LOCK WASHER - D18	8	95:1	Steel cable B - L=7330 (288.58") XLT	1
46	HEX NUT - M18	8	96	Steel cable D - L=2710 (106.69")	1
47	FLAT WASHER - D20	8	96:1	Steel cable D - L=2910 (114.57") XLT	1
48	SPINDLE BUSHING 4	2	97	Steel cable C - L=4130 (162.60")	1
49	SPINDLE	4	97:1	Steel cable C - L=4480 (176.38") XLT	1
49A	SHAFT	2	98	FLAT WASHER - D20	4
49B	PRESSURE DISTRIBUTION TYPE OIL FILLING CUP	8	99	LOCK NUT	4
50	SPINDLE BUSHING 3	2	100	HEX BOLT - M10X35	16
51	MAIN RUNWAY- CYLINDER SIDE	1	101	LOCK WASHER - D10	16
51:1	MAIN RUNWAY- CYLINDER SIDE XLT	1	102	HEX NUT - M10	16
52	OFFSIDE RUNWAY	1	103	FLAT WASHER - D10	16
52:2	OFFSIDE RUNWAY XLT	1	104	CASTER FRAME	4
53	APPROACH RAMP	2	105	COTTER PIN - D4X50	4
54	COTTER PIN - D5X60	2	106	PIN	4
55	CYLINDER PIN	1	107	CASTER - 6"	4





# WARRANTY REGISTRATION

In order to utilize the warranty on this Titan Lifts product, you must register your product with us. The simplest way to do this is to visit [TITANLIFTS.COM/WARRANTIES](https://TITANLIFTS.COM/WARRANTIES) and submit your information online. If you prefer to send your information through the mail, please fill out the form below and send this page to us at :

**Titan Lifts  
PO Box 7069  
Greenwood, IN 46142**

EQUIPMENT MODEL: \_\_\_\_\_ SERIAL NUMBER: \_\_\_\_\_  
TYPE OF POWER UNIT: \_\_\_\_\_ SERIAL NUMBER: \_\_\_\_\_  
DATE OF PURCHASE: \_\_\_\_\_  
PLACE PURCHASED: \_\_\_\_\_  
NAME: \_\_\_\_\_  
STREET: \_\_\_\_\_  
CITY, STATE, ZIP: \_\_\_\_\_  
PHONE: \_\_\_\_\_  
EMAIL: \_\_\_\_\_

OPT OUT OF PROMOTIONS



In order to receive your warranty, return this card or visit [TITANLIFTS.COM/WARRANTIES](https://TITANLIFTS.COM/WARRANTIES) within 30 days.





# LIMITED WARRANTY

The **Titan 2 Post lifts, 4 Post lifts and Bridge Jacks** are backed by a standard **1-year** replacement parts warranty and a **5-year** structural warranty from the date of purchase, to the original purchaser only. The **1-year** replacement parts warranty covers power units, hydraulic cylinders, and all other assembly components such as, but not limited to: turn plates, slip plates, cables, chains, valves, switches etc. This does not cover normal wear items such as, but not limited to: rubber lifting pads and nylon slide blocks. Titan Elite model lifts have been discontinued but still qualify under the same terms as shown above.

**Titan 2 Post Master Series, SL-6600 Scissor Lifts and PREMIER Series 2 Post Lifts** are backed by a **2-year** replacement parts warranty and a **5-year** structural warranty from the date of purchase, to the original purchaser only. The **2-year** replacement parts warranty covers power units, hydraulic cylinders, and all other assembly components such as, but not limited to: valves, switches, capacitors etc. This does not cover normal wear items such as, but not limited to: rubber lifting pads and rubber arm pads.

**Titan Master Series 2 post lifts** includes lifetime warranty on nylon slide blocks.

**Titan 4 Post Master Series** are backed by a **2-year** replacement parts warranty and a **6-year** structural warranty from the date of purchase, to the original purchaser only. The **2-year** replacement parts warranty covers power units, hydraulic cylinders, and all other assembly components such as, but not limited to: turn plates, slip plates, cables, chains, valves, switches etc. This does not cover normal wear items such as, but not limited to: rubber lifting pads and nylon slide blocks.

**Titan Master Series Aluminum Deck Kit** are backed by a **90 day** replacement.

**Titan MRL-6000 Scissor lifts** are backed by a standard **1-year** replacement parts warranty and a **5-year** structural warranty from the date of purchase, to the original purchaser only. The **1-year** replacement parts warranty covers power units, hydraulic cylinders, and all other assembly components such as, but not limited to: valves, switches, capacitors etc. This does not cover normal wear items such as but not limited to rubber lifting pads.

**Titan ROT-4500 Rotisseries** are backed by a standard **1-year** replacement parts warranty from the date of purchase, to the original purchaser only. The **1-year** replacement parts warranty covers components such as, but not limited to: hydraulic cylinders, caster assemblies, bearings etc. This does not cover normal wear items such as, but not limited to, mounting adapters.

**Titan Standard Duty and Heavy Duty motorcycle lifts** are backed by a standard **1-year** replacement parts warranty from the date of purchase, to the original purchaser only. The **1-year** replacement parts warranty covers power units, hydraulic cylinders, pneumatic cylinders, and all other assembly components such as, but not limited to: cables, caster wheels, valves, switches, wheel vises etc. This does not cover normal wear items such as, but not limited to: rubber wheel vise pads.

**Titan Light Duty motorcycle lifts** are warranted for replacement parts only to the original purchaser for a period of **90 days** from the date of purchase. This **90 day** replacement parts warranty covers items such as, but not limited to: hydraulic cylinder, casters, pedal assemblies, wheel vises etc. This does not cover normal wear items such as, but not limited to: rubber wheel vise pads.

**Titan Bulldog Moto Cradle Wheel Chock** is warranted for replacement parts, only to the original purchaser, for a period of **2-years** from the date of purchase.

**XL Tool by Titan Wheel Service Machines and Helper Arm Assemblies** are backed by a standard **1-year** replacement parts warranty from the date of purchase, to the original purchaser only. The **1-year** replacement parts warranty covers internal boards, motors, pneumatic cylinders, and all other assembly components such as, but not limited to: cabinet, switches, valves, fittings etc. This does not cover normal wear items such as but not limited to: rubber pads, jaw protectors, air hoses, quick nut assemblies.

**Titan shop equipment products and accessories** are warranted for replacement parts only to the original purchaser for a period of **90 days** from the date of purchase. This **90 day** replacement parts warranty covers products such as but not limited to: EZ -Mover Jacks, Mini Jacks, tie down products, wheel service accessories, Bulldog Moto Cradle Wheel Chock accessories, dollies, stands, Multi-purpose Jacks, replacement power units purchased as stand alone units, etc.

**Titan TJ1T, FJ2T, and FJ3T** are warranted for replacement parts only to the original purchaser for a period of **1 year** from the date of purchase.

**All non-serialized items** will require proof of purchase in the form of a sales receipt from an authorized Titan Lifts dealer showing the date of purchase for any warranty consideration.

For **all** warranty considerations, Titan Marketing, LLC will supply replacement parts only during the warranty period. The original purchaser is responsible for all shipping, handling, and any labor charges incurred. Hydraulic/Pneumatic cylinders may qualify for exchange under warranty if reported within the first 30 days from date of sale. After the first 30 days from date of sale, a seal kit and installation instructions will be sent for cylinder repairs. All defective parts must be returned to Titan for inspection and examination. Any parts that are found to be defective will be replaced or repaired to proper working order. Other items not listed above may be considered general wear parts and therefore, will not be covered under warranty. These warranties **do not** extend to **defects** caused by ordinary wear, abuse, misuse, shipping damage, improper installation, voltage or lack of required maintenance. Titan Marketing, LLC is **not** to be held responsible for any **failure** that results from an accident, purchaser/operator abuse, neglect, or failure to operate products in accordance with instructions provided in the owner's manual(s) supplied. Damage caused by rain, excessive humidity, corrosive environments or other contaminants are not covered under warranty. **THESE WARRANTIES DO NOT EXTEND TO ANY COSMETIC DEFECT NOT INTERFERING WITH EQUIPMENT FUNCTIONALITY OR ANY INCIDENTAL, INDIRECT, OR CONSEQUENTIAL LOSS, DAMAGE, OR EXPENSE THAT MAY RESULT FROM ANY DEFECT, FAILURE OR MALFUNCTION OF A TITAN MARKETING LLC PRODUCT OR THE BREACH OR DELAY IN PERFORMANCE OF THE WARRANTY.**

 **WARNING** 

The warnings, precautions and instructions in this manual cannot cover all possible conditions and situations that may occur. The operator must understand that the operator must supply common sense and examine caution factors when using this product to determine safety in all circumstances being used.



**TITAN MARKETING, LLC**

PO Box 7069 Greenwood, IN 46142  
1.888.908-4826 FAX (317) 215.2770  
[www.titanlifts.com](http://www.titanlifts.com)

**Patent No.: US 8,104,588 B2  
CA 2,729,670**

**12/27/24**