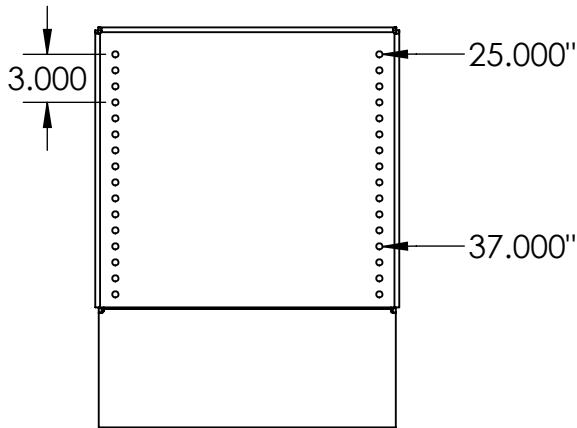


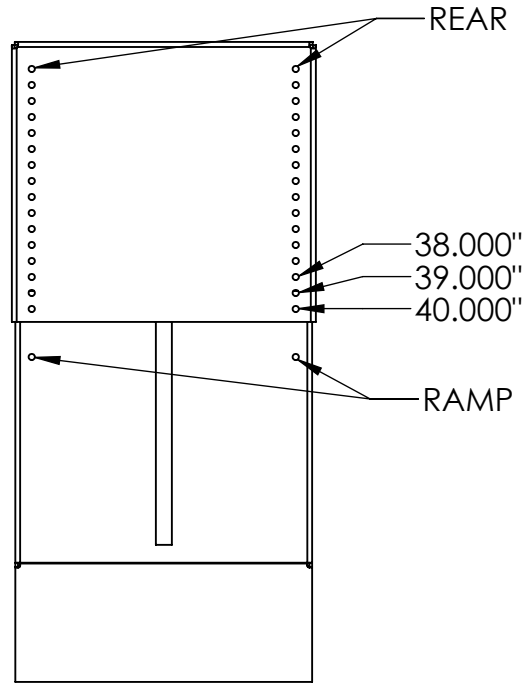
FOR RAMP LENGTHS 25"-37" ONLY (4)
FASTENERS ARE REQUIRED PER RAMP.

MARK / DRILL / FASTEN THE RAMP TO
RUNWAY THROUGH ALL (4) HOLES
ALIGNED IN BOTH PARTS (3.000" APART)



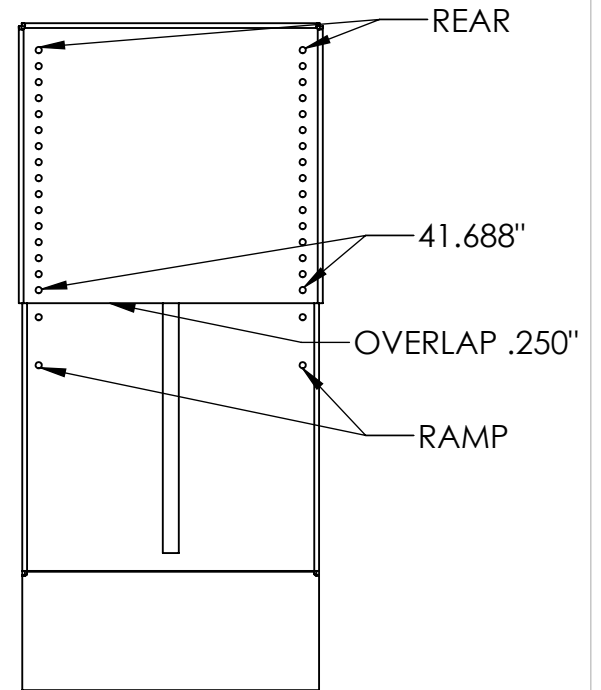
FOR RAMP LENGTHS 38"-40" ALL (6)
FASTENERS ARE REQUIRED PER RAMP.

MARK / DRILL / FASTEN THE OUTER (REAR)
PORTION OF THE RAMP THROUGH THE
"REAR" HOLES SHOWN BELOW. ALIGN THE
REAR RAMP HOLES WITH THE HOLES
THAT CORRESPOND WITH THE LENGTH
NEEDED. FINALLY, INSTALL FASTENERS
THROUGH THE "RAMP" HOLES SHOWN:



FOR A RAMP LENGTH OF 41.688" ALL (6)
FASTENERS ARE REQUIRED PER RAMP.

MARK / DRILL / FASTEN THE OUTER (REAR)
PORTION OF THE RAMP THROUGH THE
"REAR" HOLES SHOWN BELOW. INSTALL THE
FOREMOST HOLES IN THE UPPER PORTION.
OVERLAP THE TWO PARTS BY 1/4".
FINALLY, INSTALL FASTENERS
THROUGH THE "RAMP" HOLES SHOWN:



PARTS ARE ADJUSTABLE IN 1" INCREMENTS



6000-T25-40

TELESCOPING DB6000 RAMP

PROPRIETARY AND CONFIDENTIAL

THE INFORMATION CONTAINED IN THIS
DRAWING IS THE SOLE PROPERTY OF
QSP. ANY REPRODUCTION IN PART OR AS
A WHOLE WITHOUT THE WRITTEN
PERMISSION OF QSP IS PROHIBITED.

SCALE: 1:12