

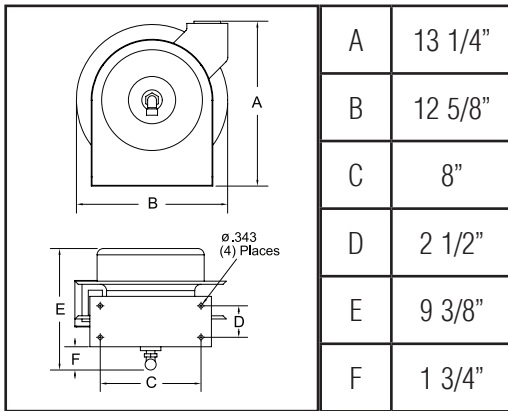
Operating Instructions

Series L 4000 Spring Driven Cord Reels

L 4035 163 3-RP	L 4545 123 3A-RP	L 4545 123 7AC	L 4035 163 10
L 4050 163 3	L 4545 123 3AC	L 4545 123 7B	L 4050 163 10
L 4050 163 3-RP	L 4545 123 3B	L 4545 123 7Q	L 4545 123 X
L 4545 123 3	L 4545 123 7	L 4050 163 9	L 4050 163 X
L 4545 123 3-RP	L 4525 123 7A	L 4545 123 9	L 4500
L 4545 123 3A	L 4545 123 7A	L 4545 123 9G	



Dimensions



IMPORTANT

Read this manual carefully before installing, operating or servicing this equipment.

WARNING: Even low voltage can cause irreparable damage or death! Exercise extreme caution while operating or servicing this equipment.

Safety Precautions

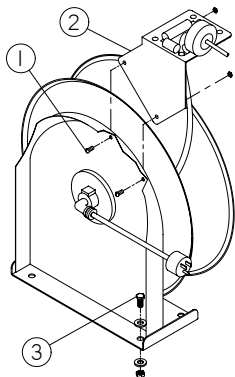
Personal injury and/or equipment damage may result if proper safety precautions are not observed.

- Ensure that only a qualified electrician installs/services this equipment.
- Ensure that power supply voltage does not exceed maximum voltage rating of reel.
- Ensure that reel is properly installed before connecting to power supply.
- All cord reels with flying leads must be hard wired to ensure proper function.

- Ensure that all electrical power is removed from reel before servicing.
- A high-tension spring assembly is contained within the reel. Exercise extreme caution.
- Check for frayed and/or broken wires before each use. Pull electrical cord from reel by grasping the electrical cord itself, not the work device.
- If an electrical malfunction should occur, remove power from reel immediately.

- Ensure that reel, electrical cord, and equipment being serviced are properly grounded. Use an ohmmeter to check ground continuity.
- If reel ceases to unwind or rewind, remove power immediately. Do not pull or jerk on electrical cord!
- Treat and respect the reel as any other piece of machinery, observing all common safety practices.

Installation Instructions



Mounting

CAUTION: Unless reel was specified differently when ordering, maximum installation height is 16 feet. Do not exceed this distance. Ensure that only a qualified electrician installs/services this equipment. Installation of GFCI cord reels should be performed by a qualified and licensed professional in accordance with building codes and applicable NEC standards.

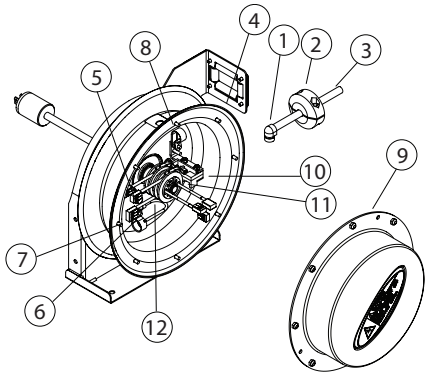
1. Unpack and inspect reel for damage. Turn by hand to check for smooth operation. Check for completeness.

2. Configure reel for top, side or bottom-wind (bottom-wind for constant tension reels only) electrical cord dispensing by removing bolts (1), securing guide arm bracket (2). Determine new guide arm location and remove corresponding bolts. Position guide arm bracket to reel and replace bolts.
3. Position reel on floor, wall, or ceiling. Secure into place, using four (customer supplied) screws or bolts (3).

Form# 542-290 Rev: 10/2024

Installing the Input Electrical Cable

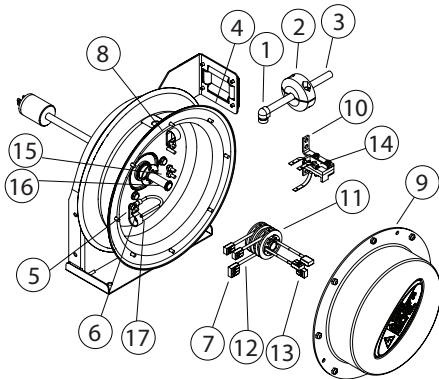
WARNING: Use only 12/3 or 16/3 cable for input wiring. Ensure that application does not exceed electrical rating of reel.



1. Feed input cable (3) through elbow (1) and main shaft. Make sure that input cable extends 6" from collector.
2. Screw elbow (1) into reel.
3. Connect input wires (3) and collector ring wires (4) together using splicing connectors (5).
4. Take the provided zip tie (not pictured) and zip tie the input cable wires together closest to the slip ring.
5. Assemble cover (6) to reel.

Installing the Output Electrical Cable

WARNING: Select output cable in accordance with power requirement of apparatus to be supplied. Ensure that application does not exceed electrical rating of reel. Use extreme caution, reel under tension. Avoid releasing latch mechanism.



1. Manually turn sheave (4) until spring is tight, back off 2 turns, and latch.
2. Remove access cover (9).
3. Remove 6" of output cable outer jacket (3).
4. Route cable through strain relief (1), then through cut out in spool (4).
5. Pull enough cable through for roughly 1/2 an inner wrap. Route cable behind the brush holder (10), then route cable through the two cable clamps (8) securing it in place.
6. Connect output wires with splicing connectors (7) as shown.
7. Connect ground wire to grounding stud (6) as shown.
8. Using Ohmmeter check for ground faults.

9. Replace cover (9).
10. Release latch and wind cable onto reel.
11. Install bumper stop (2).

Adjustments - Spring Tension

If necessary, adjust spring tension on reel by adding or removing wraps of electrical cord from spool, one wrap at a time, until desired tension is obtained. Add wraps to increase tension. Remove wraps to decrease tension.

WARNING: When adding wraps of electrical cord, be careful not to exceed the winding mechanism's spring capacity. Add just enough wraps of cord to achieve the desired tension. Damage to the winding mechanism will result if spring is over-tensioned. Always be aware of spring tension on reel. Exercise extreme caution.

Troubleshooting Instructions

Troubleshooting of the reel consists of isolating a problem to a defective electrical cord/work device, brush holder/brushes, or collector assembly. Refer any other discrepancies only to an authorized service person or directly to Reelcraft.

WARNING: The following procedure directs the technician to take voltage measurements. Remember, even low voltage is dangerous and can cause personal injury or death. Exercise extreme caution! Ensure that only a qualified electrician installs/services this equipment.

1. If work device is either an incandescent, replace bulb with a known good bulb. If this does not correct the problem, proceed to step 2. If work device is an electrical receptacle, ensure that tool or fixture connected to it is in good working order. If it is, proceed to step 2.
2. Remove power from reel.
3. Remove access cover (9).
4. Reapply power to reel.
5. Check for correct voltage (120 V AC) at splicing connectors (7). If voltage reading is correct, replace output electrical cord/work device (refer to [Service Instructions](#)). If voltage reading is incorrect, proceed to step 6.
6. Disconnect power from reel.
7. Using ohmmeter, check continuity of input electrical cord. If cord checks good, proceed to step 8. If cord is faulty, replace it (refer to [Service Instructions](#)).
8. Remove brush holder (10) and brushes (12) from reel and inspect (refer to [Service Instructions](#)). Replace defective components then proceed to step 9.
9. Reapply power to reel.
10. Check for correct voltage (120 V AC) at splicing connectors (7). If voltage reading is still incorrect, replace defective collector assembly (10) (refer to [Service Instructions](#)).
11. Replace access cover (9).

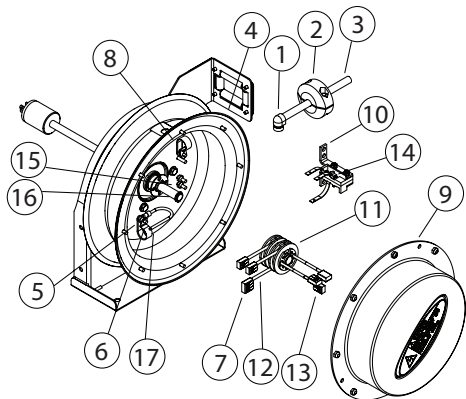
Service Instructions

Maintain reel by following the service instructions given below. Refer all other repairs, other than those listed, only to an authorized service person or directly to Reelcraft. Failure to do so can result in personal injury and/or equipment damage and may void the warranty (refer to page 5 when referencing parts).

WARNING: Remove power from reel before performing any of the following procedures.

Replacing the Output Electrical Cord/Work Device

WARNING: Use extreme caution, reel under tension. Avoid releasing latch mechanism.



1. Pull output electrical cord from reel until fully extended, then latch.
2. Remove output electrical bumper stop (2).
3. Disconnect output electrical cord/work device (3) at splicing connectors (7).
4. Remove strain relief (1). Remove output electrical cord/work device.
5. Install replacement electrical cord/work device by reversing steps 2 through 4.
6. Release latch and rewind electrical cord onto reel.
7. Replace access cover (9).

Replacing the Input Electrical Cord

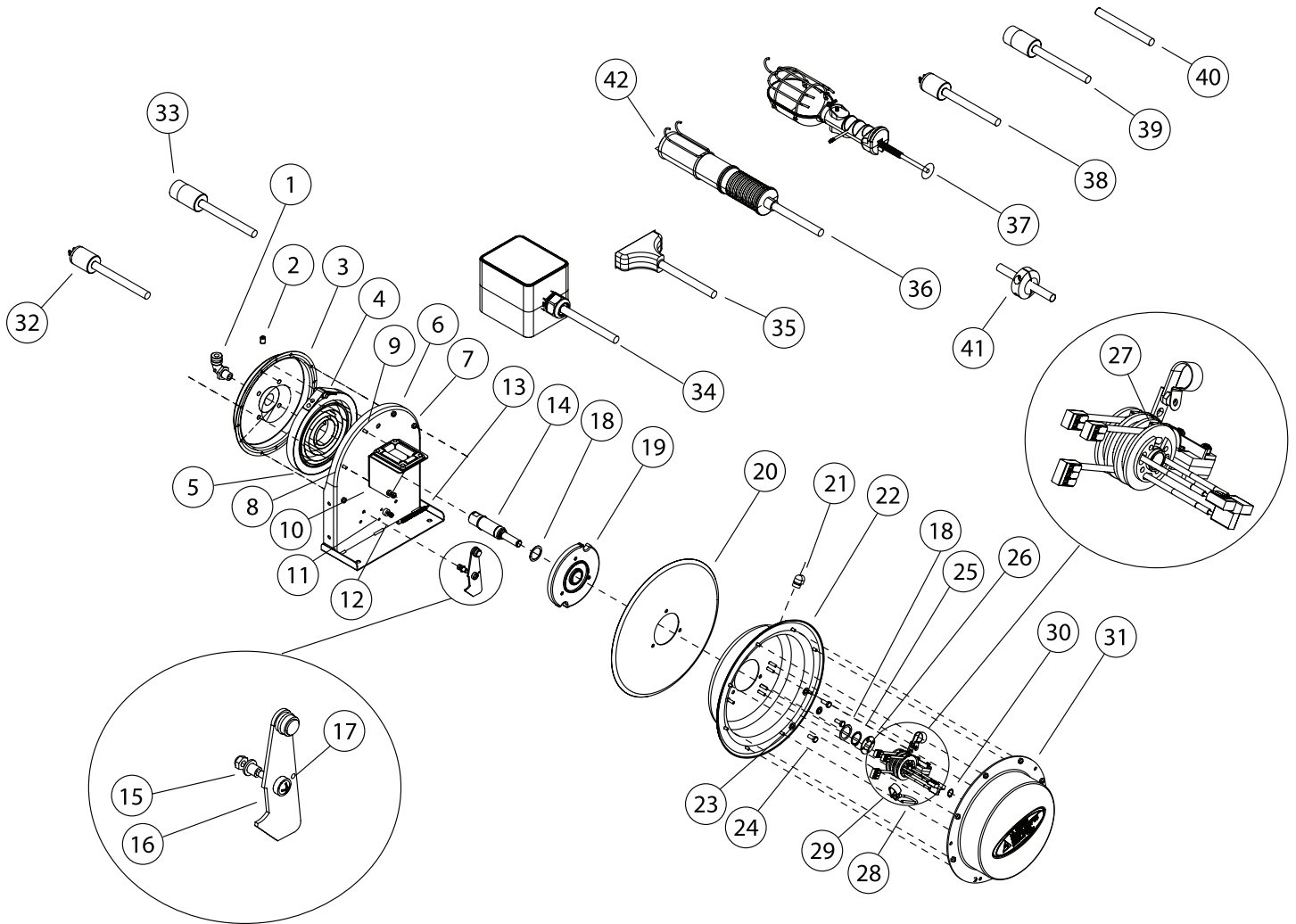
1. Remove splicing connectors (15) securing input electrical cord to collector assembly (10).
2. Remove 90 degree elbow (not pictured).
3. Remove input electrical cord.
4. Remove 11" of outer jacket from replacement input electrical cord (input electrical cord wires must protrude a minimum of 6" from center of collector assembly).
5. Install replacement input electrical cord by reversing steps 1 through 3.
6. Replace access cover (9).

Replacing the Brush Holder/Brushes

1. At splicing connectors (7), remove wires connecting brushes (3) to outlet wire.
2. Remove nuts holding brush holder (10) to reel. Relocate cable clamp (8) temporarily and remove brush holder (10).
3. Remove brushes from brush holder (10).
4. Install replacement brush holder (10) and brushes (12) by reversing steps 1 through 3. Upon completion of installation, ensure good contact between new brush installation and ring.

Replacing the Collector Assembly

1. Remove splicing connectors (13) securing input electrical cord to collector assembly.
2. At splicing connectors (7), disconnect wires (11) connecting brushes (12) to splicing connectors.
3. Remove lock nuts securing brush holder (10) to reel. Relocate cable clamp temporarily and remove brush holder.
4. Remove snap ring (16).
5. Remove collector assembly (14).
6. Install replacement collector assembly by reversing steps 1 through 5. Upon completion of installation, ensure good contact between new brush installation and ring.
7. Replace access cover (9).



Series L 4000 Spring Driven Cord Reels

Item #	Description	# Req.	L 4035 163 3-RP	L 4050 163 3	L 4050 163 3 -RP	L 4545 123 3	L 4545 123 3-RP	L 4545 123 3A	L 4545 123 3A-RP
1	Pipe Fitting 90° Elbow / Conduit Box & Cover	1	261140-1-C	261140-1-C	261140-1-C	S261140	S261140	S261140	S261140
2	Screw, Set 3/8-19 x 1/2" Pin	1	300006	300006	300006	300006	300006	300006	300006
3	Spring Case Assembly	1	S400103	S400103	S400103	S400103	S400103	S400103	S400103
4	Springcase Stud	1	S261360	S261360	S261360	S261360	S261360	S261360	S261360
5	Drive Spring Assembly	1	S400030	S400030	S400030	S400030	S400030	S400030	S400030
6	Base Assembly	1	400101	400101	400101	400101	400101	400101	400101
7	10-32 x 3/8" Nyloc Nut	21	S82-15	S82-15	S82-15	S82-15	S82-15	S82-15	S82-15
8	10-32 x 1/2" Screw	2	300002	300002	300002	300002	300002	300002	300002
9	10-32 x 3/8" Screw	1	300001	300001	300001	300001	300001	300001	300001
10	Guide Arm Assembly	1	S400107	S400107	S400107	S400107	S400107	S400107	S400107
11	Latch Bumper	1	S400021	S400021	S400021	S400021	S400021	S400021	S400021
12	10-24 x 3/8" Screw	1	S32-136	S32-136	S32-136	S32-136	S32-136	S32-136	S32-136
13	Latch Plate Spring	1	S400018	S400018	S400018	S400018	S400018	S400018	S400018
14	Main Shaft Kit	1	602348	602348	602348	602348	602348	602348	602348
15	Latch Bushing	1	S400012	S400012	S400012	S400012	S400012	S400012	S400012
16	Latch Plate Assembly	1	S400109	S400109	S400109	S400109	S400109	S400109	S400109
17	10-32 x 1" Screw	1	300035	300035	300035	300035	300035	300035	300035
18	Spacing Washer	2	300034	300034	300034	300034	300034	300034	300034
19	Spring Arbor Latch Cam	1	S400017	S400017	S400017	S400017	S400017	S400017	S400017
20	Sheave Disc	1	400006	400006	400006	400006	400006	400006	400006
21	Strain Relief	1	260501	260501	260501	260633	260633	260633	260633
22	Sheave Assembly	1	600194	600194	600194	600254	600254	600254	600254
23	Split Lock Washer	3	902016	902016	902016	902016	902016	902016	902016
24	1/4-20 x 5/8" Hex Screw	3	S2-42	S2-42	S2-42	S2-42	S2-42	S2-42	S2-42
25	Snap Ring	1	300031	300031	300031	300031	300031	300031	300031
26	Plate Adapter	1	261577	261577	261577	261577	261577	261577	261577
27	Collector Ring Assembly	1	S602296	S602296	S602296	S602296	S602296	S602296	S602296
28	Grounding Cord Assembly	1	600283	600283	600283	600283	600283	600283	600283
29	Cord Clamp	1	262371-1	262371-1	262371-1	262371-1	262371-1	262371-1	262371-1
30	Snap Ring	1	S140-13	S140-13	S140-13	S140-13	S140-13	S140-13	S140-13
31	Cover	1	261723	261723	261723	261723	261723	261723	261723
32	Inlet Cord Assembly Plug	1	N/A	260517	N/A	260630	N/A	602002	N/A
33	Inlet Cord Assembly Receptacle	1	602643	N/A	602643	N/A	602627	N/A	602628
34	Outlet Box/Cord Assembly	1	N/A	N/A	N/A	N/A	N/A	N/A	N/A
35	Triple Tap/Cord Assembly	1	N/A	N/A	N/A	N/A	N/A	N/A	N/A
36	LED Lamp/Cord Assembly	1	N/A	N/A	N/A	N/A	N/A	N/A	N/A
37	Lamp/Cord Assembly	1	N/A	N/A	N/A	N/A	N/A	N/A	N/A
38	Outlet Cord Assembly Plug	1	602626-35	N/A	602262-50	N/A	602629	N/A	602629
39	Outlet Cord Assembly Receptacle	1	N/A	600209	N/A	600251	N/A	602003-45	N/A
40	Flying Leads	1	N/A	N/A	N/A	N/A	N/A	N/A	N/A
41	Bumper Assembly	1	600193	600193	600193	1-HR1004-A	1-HR1004-A	1-HR1004-A	1-HR1004-A
42	Polycarbonate Tube Assembly	1	N/A	N/A	N/A	N/A	N/A	N/A	N/A

Series L 4000 Spring Driven Cord Reels

Item #	Description	# Req.	L 4545 123 3AC	L 4545 123 3B	L 4545 123 7	L 4525 123 7A	L 4545 123 7A	L 4545 123 7AC	L 4545 123 7B	L 4545 123 7Q
1	Pipe Fitting 90° Elbow / Conduit Box & Cover	1	S261140	S261140	S261140	S261140	S261140	S261140	S261140	S261140
2	Screw, Set 3/8-19 x 1/2" Pin	1	300006	300006	300006	300006	300006	300006	300006	300006
3	Spring Case Assembly	1	S400103	S400103	S400103	S400103	S400103	S400103	S400103	S400103
4	Springcase Stud	1	S261360	S261360	S261360	S261360	S261360	S261360	S261360	S261360
5	Drive Spring Assembly	1	S400030	S400030	602865-44	S400030	602865-44	602865-44	602865-44	602865-44
6	Base Assembly	1	400101	400101	400101	400101	400101	400101	400101	400101
7	10-32 x 3/8" Nyloc Nut	21	S82-15	S82-15	S82-15	S82-15	S82-15	S82-15	S82-15	S82-15
8	10-32 x 1/2" Screw	2	300002	300002	300002	300002	300002	300002	300002	300002
9	10-32 x 3/8" Screw	1	300001	300001	300001	300001	300001	300001	300001	300001
10	Guide Arm Assembly	1	S400107	S400107	S400107	S400107	S400107	S400107	S400107	S400107
11	Latch Bumper	1	S400021	S400021	S400021	S400021	S400021	S400021	S400021	S400021
12	10-24 x 3/8" Screw	1	S32-136	S32-136	S32-136	S32-136	S32-136	S32-136	S32-136	S32-136
13	Latch Plate Spring	1	S400018	S400018	S400018	S400018	S400018	S400018	S400018	S400018
14	Main Shaft Kit	1	602348	602348	602348	602348	602348	602348	602348	602348
15	Latch Bushing	1	S400012	S400012	S400012	S400012	S400012	S400012	S400012	S400012
16	Latch Plate Assembly	1	S400109	S400109	S400109	S400109	S400109	S400109	S400109	S400109
17	10-32 x 1" Screw	1	300035	300035	300035	300035	300035	300035	300035	300035
18	Spacing Washer	2	300034	300034	300034	300034	300034	300034	300034	300034
19	Spring Arbor Latch Cam	1	S400017	S400017	S400017	S400017	S400017	S400017	S400017	S400017
		1	S400019	S400019	S400019	S400019	S400019	S400019	S400019	S400019
20	Sheave Disc	1	400006	400006	400006	400006	400006	400006	400006	400006
21	Strain Relief	1	260633	260633	260633	260633	260633	260633	260633	260633
22	Sheave Assembly	1	600254	600254	600254	600254	600254	600254	600254	600254
23	Split Lock Washer	3	902016	902016	902016	902016	902016	902016	902016	902016
24	1/4-20 x 5/8" Hex Screw	3	S2-42	S2-42	S2-42	S2-42	S2-42	S2-42	S2-42	S2-42
25	Snap Ring	1	300031	300031	300031	300031	300031	300031	300031	300031
26	Plate Adapter	1	261577	261577	261577	261577	261577	261577	261577	261577
27	Collector Ring Assembly	1	S602296	S602296	S602296	S602296	S602296	S602296	S602296	S602296
28	Grounding Cord Assembly	1	600283	600283	600283	600283	600283	600283	600283	600283
29	Cord Clamp	1	262371-1	262371-1	262371-1	262371-1	262371-1	262371-1	262371-1	262371-1
30	Snap Ring	1	S140-13	S140-13	S140-13	S140-13	S140-13	S140-13	S140-13	S140-13
31	Cover	1	261723	261723	261723	261723	261723	261723	261723	261723
32	Inlet Cord Assembly Plug	1	N/A	602002	260630	602002	602002	602875	602002	602002
33	Inlet Cord Assembly Receptacle	1	602785	N/A	N/A	N/A	N/A	N/A	N/A	N/A
34	Outlet Box/Cord Assembly	1	N/A	N/A	602332-45	602332-25	602332-45	602332-45	602255-45	602813-45
35	Triple Tap/Cord Assembly	1	N/A	N/A	N/A	N/A	N/A	N/A	N/A	N/A
36	LED Lamp/Cord Assembly	1	N/A	N/A	N/A	N/A	N/A	N/A	N/A	N/A
37	Lamp/Cord Assembly	1	N/A	N/A	N/A	N/A	N/A	N/A	N/A	N/A
38	Outlet Cord Assembly Plug	1	N/A	N/A	N/A	N/A	N/A	N/A	N/A	N/A
39	Outlet Cord Assembly Receptacle	1	602003	602004	N/A	N/A	N/A	N/A	N/A	N/A
40	Flying Leads	1	N/A	N/A	N/A	N/A	N/A	N/A	N/A	N/A
41	Bumper Assembly	1	1-HR1004-A	1-HR1004-A	1-HR1004-A	1-HR1004-A	1-HR1004-A	1-HR1004-A	1-HR1004-A	1-HR1004-A
42	Polycarbonate Tube Assembly	1	N/A	N/A	N/A	N/A	N/A	N/A	N/A	N/A

Series L 4000 Spring Driven Cord Reels

Item #	Description	# Req.	L 4050 163 9	L 4545 123 9	L 4545 123 9G	L 4035 163 10	L 4050 163 10	L 4545 123 X	L 4050 163 X	L 4500
1	Pipe Fitting 90° Elbow / Conduit Box & Cover	1 1	261140-1-C	S261140	S261140	261140-1-C	261140-1-C	262293 262294	262293 262294	S261140
2	Screw, Set 3/8-19 x 1/2" Pin	1	300006	300006	300006	300006	300006	300006	300006	300006
3	Spring Case Assembly	1	S400103	S400103	S400103	S400103	S400103	S400103	S400103	S400103
4	Springcase Stud	1	S261360	S261360	S261360	S261360	S261360	S261360	S261360	S261360
5	Drive Spring Assembly	1	S400030	S400030	S400030	S400030	S400030	S400030	S400030	S400030
6	Base Assembly	1	400101	400101	400101	400101	400101	400101	400101	400101
7	10-32 x 3/8" Nyloc Nut	21	S82-15	S82-15	S82-15	S82-15	S82-15	S82-15	S82-15	S82-15
8	10-32 x 1/2" Screw	2	300002	300002	300002	300002	300002	300002	300002	300002
9	10-32 x 3/8" Screw	1	300001	300001	300001	300001	300001	300001	300001	300001
10	Guide Arm Assembly	1	S400107	S400107	S400107	S400107	S400107	S400107	S400107	S400107
11	Latch Bumper	1	S400021	S400021	S400021	S400021	S400021	S400021	S400021	S400021
12	10-24 x 3/8" Screw	1	S32-136	S32-136	S32-136	S32-136	S32-136	S32-136	S32-136	S32-136
13	Latch Plate Spring	1	S400018	S400018	S400018	S400018	S400018	S400018	S400018	S400018
14	Main Shaft Kit	1	602348	602348	602348	602348	602348	602348	602348	602348
15	Latch Bushing	1	S400012	S400012	S400012	S400012	S400012	S400012	S400012	S400012
16	Latch Plate Assembly	1	S400109	S400109	S400109	S400109	S400109	S400109	S400109	S400109
17	10-32 x 1" Screw	1	300035	300035	300035	300035	300035	300035	300035	300035
18	Spacing Washer	2	300034	300034	300034	300034	300034	300034	300034	300034
19	Spring Arbor Latch Cam	1 1	S400017 S400019	S400017 S400019	S400017 S400019	S400017 S400019	S400017 S400019	S400017 S400019	S400017 S400019	"S400017 S400019"
20	Sheave Disc	1	400006	400006	400006	400006	400006	400006	400006	400006
21	Strain Relief	1	260501	260633	260633	260501	260501	260633	260501	260633
22	Sheave Assembly	1	600194	600254	600254	600194	600194	600254	600194	600254
23	Split Lock Washer	3	902016	902016	902016	902016	902016	902016	902016	902016
24	1/4-20 x 5/8" Hex Screw	3	S2-42	S2-42	S2-42	S2-42	S2-42	S2-42	S2-42	S2-42
25	Snap Ring	1	300031	300031	300031	300031	300031	300031	300031	300031
26	Plate Adapter	1	261577	261577	261577	261577	261577	261577	261577	261577
27	Collector Ring Assembly	1	S602296	S602296	S602296	S602296	S602296	S602296	S602296	S602296
28	Grounding Cord Assembly	1	600283	600283	600283	600283	600283	600283	600283	600283
29	Cord Clamp	1	262371-1	262371-1	262371-1	262371-1	262371-1	262371-1	262371-1	262371-1
30	Snap Ring	1	S140-13	S140-13	S140-13	S140-13	S140-13	S140-13	S140-13	S140-13
31	Cover	1	261723	261723	261723	261723	261723	261723	261723	261723
32	Inlet Cord Assembly Plug	1	260517	260630	260630	260517	260517	262307	262306	N/A
33	Inlet Cord Assembly Receptacle	1	N/A	N/A	N/A	N/A	N/A	N/A	N/A	N/A
34	Outlet Box/Cord Assembly	1	N/A	N/A	N/A	N/A	N/A	N/A	N/A	N/A
35	Triple Tap/Cord Assembly	1	N/A	602498	602497	N/A	N/A	N/A	N/A	N/A
36	LED Lamp/Cord Assembly	1	N/A	N/A	N/A	602473-35	602473-50	N/A	N/A	N/A
37	Lamp/Cord Assembly	1	N/A	N/A	N/A	N/A	N/A	N/A	N/A	N/A
38	Outlet Cord Assembly Plug	1	N/A	N/A	N/A	N/A	N/A	N/A	N/A	N/A
39	Outlet Cord Assembly Receptacle	1	N/A	N/A	N/A	N/A	N/A	N/A	N/A	N/A
40	Flying Leads	1	N/A	N/A	N/A	N/A	N/A	602353-45	260952-50	N/A
41	Bumper Assembly	1	600193	1-HR1004-A	1-HR1004-A	600193	600193	1-HR1004-A	600193	N/A
42	Polycarbonate Tube Assembly	1	N/A	N/A	N/A	S602729	S602729	N/A	N/A	N/A