



OPERATOR'S MANUAL



ROTARY DRAW BENDER MODEL: RDB-125

Baileigh Industrial, Inc.
P.O. Box 531
Manitowoc, WI 54221-0531
Phone: 920.684.4990
Fax: 920.684.3944
sales@baileighindustrial.com

REPRODUCTION OF THIS MANUAL IN ANY FORM WITHOUT WRITTEN APPROVAL OF BAILEIGH INDUSTRIAL, INC. IS PROHIBITED. Baileigh Industrial, Inc. does not assume and hereby disclaims any liability for any damage or loss caused by an omission or error in this Operator's Manual, resulting from accident, negligence, or other occurrence.



Table of Contents

THANK YOU & WARRANTY	1
INTRODUCTION.....	3
GENERAL NOTES.....	3
SAFETY INSTRUCTIONS	4
SAFETY PRECAUTIONS	7
TECHNICAL SPECIFICATIONS	9
TECHNICAL SUPPORT	9
UNPACKING AND CHECKING CONTENTS.....	10
Cleaning	10
TRANSPORTING AND LIFTING	11
INSTALLATION.....	11
ASSEMBLY AND SET UP	12
GETTING TO KNOW YOUR MACHINE	13
GENERAL DESIGN DESCRIPTION.....	14
ELECTRICAL.....	15
OPERATION.....	17
Bending	17
Material Removal.....	18
DIE SELECTION AND INSTALLATION.....	19
Material Insertion	22
Material Insertion Limitations.....	23
Bending More than 180 Degrees.....	24
UNDERSTANDING SPRINGBACK	24
MATERIAL SELECTION.....	24
PIPE AND TUBE BENDING DIAGRAMS	26
BENDING GLOSSARY	27
BENDING SUGGESTIONS	28
Aluminum Bending	28
Heavy Wall DOM tubing	28
Bending With Square Dies	29
Square Tooling Setup.....	29
Large Size Square.....	30
LUBRICATION AND MAINTENANCE	31
RDB-125 ELECTRICAL SCHEMATIC	32
TABLES, CHARTS, & DIAGRAMS	33
Diagram 1	36
Diagram2.....	37
PARTS DIAGRAM	38
Power Unit Assembly Parts Diagram.....	38
Stand Assembly Parts Diagram.....	39
Main Frame Assembly Parts Diagram.....	40
Spring Back Lever Assembly Parts Diagram.....	41



Ratchet Wheel Assembly Parts Diagram.....	42
Swing Arm Assembly Parts Diagram.....	43
Spring Latch Assembly Parts Diagram	44
Cylinder Assembly Parts Diagram	45
Parts List	46



THANK YOU & WARRANTY

Thank you for your purchase of a machine from Baileigh Industrial. We hope that you find it productive and useful to you for a long time to come.

Inspection & Acceptance. Buyer shall inspect all Goods within ten (10) days after receipt thereof. Buyer's payment shall constitute final acceptance of the Goods and shall act as a waiver of the Buyer's rights to inspect or reject the goods unless otherwise agreed. If Buyer rejects any merchandise, Buyer must first obtain a Returned Goods Authorization ("RGA") number before returning any goods to Seller. Goods returned without a RGA will be refused. Seller will not be responsible for any freight costs, damages to goods, or any other costs or liabilities pertaining to goods returned without a RGA. Seller shall have the right to substitute a conforming tender. Buyer will be responsible for all freight costs to and from Buyer and repackaging costs, if any, if Buyer refuses to accept shipment. If Goods are returned in unsalable condition, Buyer shall be responsible for full value of the Goods. Buyer may not return any special order Goods. Any Goods returned hereunder shall be subject to a restocking fee equal to 30% of the invoice price.

Specifications. Seller may, at its option, make changes in the designs, specifications or components of the Goods to improve the safety of such Goods, or if in Seller's judgment, such changes will be beneficial to their operation or use. Buyer may not make any changes in the specifications for the Goods unless Seller approves of such changes in writing, in which event Seller may impose additional charges to implement such changes.

Limited Warranty. Seller warrants to the original end-user that the Goods manufactured or provided by Seller under this Agreement shall be free of defects in material or workmanship for a period of twelve (12) months from the date of purchase, provided that the Goods are installed, used, and maintained in accordance with any instruction manual or technical guidelines provided by the Seller or supplied with the Goods, if applicable. The original end-user must give written notice to Seller of any suspected defect in the Goods prior to the expiration of the warranty period. The original end-user must also obtain a RGA from Seller prior to returning any Goods to Seller for warranty service under this paragraph. Seller will not accept any responsibility for Goods returned without a RGA. The original end-user shall be responsible for all costs and expenses associated with returning the Goods to Seller for warranty service. In the event of a defect, Seller, at its sole option, shall repair or replace the defective Goods or refund to the original end-user the purchase price for such defective Goods. Goods are not eligible for replacement or return after a period of 30 days from date of receipt. The foregoing warranty is Seller's sole obligation, and the original end-user's exclusive remedy, with regard to any defective Goods. This limited warranty does not apply to: (a) die sets, tooling, and saw blades; (b) periodic or routine maintenance and setup, (c) repair or replacement of the Goods due to normal wear and tear, (d) defects or damage to the Goods resulting from misuse, abuse, neglect, or accidents, (e) defects or damage to the Goods resulting from improper or unauthorized alterations, modifications, or changes; and (f) any Goods that has not been installed and/or maintained in accordance with the instruction manual or technical guidelines provided by Seller.

EXCLUSION OF OTHER WARRANTIES. THE FOREGOING LIMITED WARRANTY IS IN LIEU OF ALL OTHER WARRANTIES, EXPRESS OR IMPLIED. ANY AND ALL OTHER EXPRESS, STATUTORY OR IMPLIED WARRANTIES, INCLUDING BUT NOT LIMITED TO, ANY WARRANTY OF MERCHANTABILITY OR FITNESS FOR ANY PARTICULAR PURPOSE ARE EXPRESSLY DISCLAIMED. NO WARRANTY IS MADE WHICH EXTENDS BEYOND THAT WHICH IS EXPRESSLY CONTAINED HEREIN.

Limitation of Liability. IN NO EVENT SHALL SELLER BE LIABLE TO BUYER OR ANY OTHER PARTY FOR ANY INCIDENTAL, CONSEQUENTIAL OR SPECIAL DAMAGES (INCLUDING, WITHOUT LIMITATION, LOST PROFITS OR DOWN TIME) ARISING FROM OR IN MANNER CONNECTED WITH THE GOODS, ANY BREACH BY SELLER OR ITS AGENTS OF THIS AGREEMENT, OR ANY OTHER CAUSE WHATSOEVER, WHETHER BASED ON CONTRACT, TORT OR ANY OTHER THEORY OF LIABILITY. BUYER'S REMEDY WITH RESPECT TO ANY CLAIM ARISING UNDER THIS AGREEMENT IS STRICTLY LIMITED TO NO MORE THAN THE AMOUNT PAID BY THE BUYER FOR THE GOODS.



Force Majeure. Seller shall not be responsible for any delay in the delivery of, or failure to deliver, Goods due to causes beyond Seller's reasonable control including, without limitation, acts of God, acts of war or terrorism, enemy actions, hostilities, strikes, labor difficulties, embargoes, non-delivery or late delivery of materials, parts and equipment or transportation delays not caused by the fault of Seller, delays caused by civil authorities, governmental regulations or orders, fire, lightening, natural disasters or any other cause beyond Seller's reasonable control. In the event of any such delay, performance will be postponed by such length of time as may be reasonably necessary to compensate for the delay.

Installation. If Buyer purchases any Goods that require installation, Buyer shall, at its expense, make all arrangements and connections necessary to install and operate the Goods. Buyer shall install the Goods in accordance with any Seller instructions and shall indemnify Seller against any and all damages, demands, suits, causes of action, claims and expenses (including actual attorneys' fees and costs) arising directly or indirectly out of Buyer's failure to properly install the Goods.

Work By Others; Safety Devices. Unless agreed to in writing by Seller, Seller has no responsibility for labor or work performed by Buyer or others, of any nature, relating to design, manufacture, fabrication, use, installation or provision of Goods. Buyer is solely responsible for furnishing, and requiring its employees and customers to use all safety devices, guards and safe operating procedures required by law and/or as set forth in manuals and instruction sheets furnished by Seller. Buyer is responsible for consulting all operator's manuals, ANSI or comparable safety standards, OSHA regulations and other sources of safety standards and regulations applicable to the use and operation of the Goods.

Remedies. Each of the rights and remedies of Seller under this Agreement is cumulative and in addition to any other or further remedies provided under this Agreement or at law or equity.

Attorney's Fees. In the event legal action is necessary to recover monies due from Buyer or to enforce any provision of this Agreement, Buyer shall be liable to Seller for all costs and expenses associated therewith, including Seller's actual attorneys' fees and costs.

Governing Law/Venue. This Agreement shall be construed and governed under the laws of the State of Wisconsin, without application of conflict of law principles. Each party agrees that all actions or proceedings arising out of or in connection with this Agreement shall be commenced, tried, and litigated only in the state courts sitting in Manitowoc County, Wisconsin or the U.S. Federal Court for the Eastern District of Wisconsin. Each party waives any right it may have to assert the doctrine of "forum non conveniens" or to object to venue to the extent that any proceeding is brought in accordance with this section. Each party consents to and waives any objection to the exercise of personal jurisdiction over it by courts described in this section. Each party waives to the fullest extent permitted by applicable law the right to a trial by jury.

Summary of Return Policy.

- 10 Day acceptance period from date of delivery. Damage claims and order discrepancies will not be accepted after this time.
- You must obtain a Baileigh issued RGA number PRIOR to returning any materials.
- Returned materials must be received at Baileigh in new condition and in original packaging.
- Altered items are not eligible for return.
- Buyer is responsible for all shipping charges.
- A 30% re-stocking fee applies to all returns.

Baileigh Industrial makes every effort to ensure that our posted specifications, images, pricing and product availability are as correct and timely as possible. We apologize for any discrepancies that may occur. Baileigh Industrial reserves the right to make any and all changes deemed necessary in the course of business including but not limited to pricing, product specifications, quantities, and product availability.

For Customer Service & Technical Support:

Please contact one of our knowledgeable Sales and Service team members at: (920) 684-4990 or e-mail us at sales@baileighindustrial.com



INTRODUCTION

The quality and reliability of the components assembled on a Baileigh Industrial machine guarantee near perfect functioning, free from problems, even under the most demanding working conditions. However if a situation arises, refer to the manual first. If a solution cannot be found, contact the distributor where you purchased our product. Make sure you have the serial number and production year of the machine (stamped on the nameplate). For replacement parts refer to the assembly numbers on the parts list drawings.

Our technical staff will do their best to help you get your machine back in working order.

In this manual you will find: (when applicable)

- Safety procedures
- Correct installation guidelines
- Description of the functional parts of the machine
- Capacity charts
- Set-up and start-up instructions
- Machine operation
- Scheduled maintenance
- Parts lists

GENERAL NOTES

After receiving your equipment remove the protective container. Do a complete visual inspection, and if damage is noted, **photograph it for insurance claims** and contact your carrier at once, requesting inspection. Also contact Baileigh Industrial and inform them of the unexpected occurrence. Temporarily suspend installation.

Take necessary precautions while loading / unloading or moving the machine to avoid any injuries.

Your machine is designed and manufactured to work smoothly and efficiently. Following proper maintenance instructions will help ensure this. Try and use original spare parts, whenever possible, and most importantly; **DO NOT** overload the machine or make any unauthorized modifications.

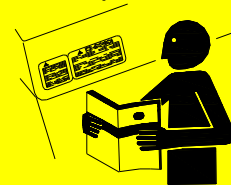


Note: This symbol refers to useful information throughout the manual.



IMPORTANT **PLEASE READ THIS OPERATORS MANUAL CAREFULLY**

It contains important safety information, instructions, and necessary operating procedures. The continual observance of these procedures will help increase your production and extend the life of the equipment.



SAFETY INSTRUCTIONS

LEARN TO RECOGNIZE SAFETY INFORMATION

This is the safety alert symbol. When you see this symbol on your machine or in this manual, **BE ALERT TO THE POTENTIAL FOR PERSONAL INJURY!**



Follow recommended precautions and safe operating practices.

UNDERSTAND SIGNAL WORDS

A signal word – **DANGER**, **WARNING**, or **CAUTION** is used with the safety alert symbol. **DANGER** identifies a hazard or unsafe practice that will result in severe **Injury or Death**.



Safety signs with signal word **DANGER** or **WARNING** are typically near specific hazards.



General precautions are listed on **CAUTION** safety signs. **CAUTION** also calls attention to safety messages in this manual.



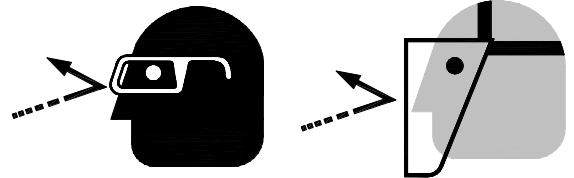


SAVE THESE INSTRUCTIONS.
Refer to them often and use them to instruct others.



PROTECT EYES

Wear safety glasses or suitable eye protection when working on or around machinery.



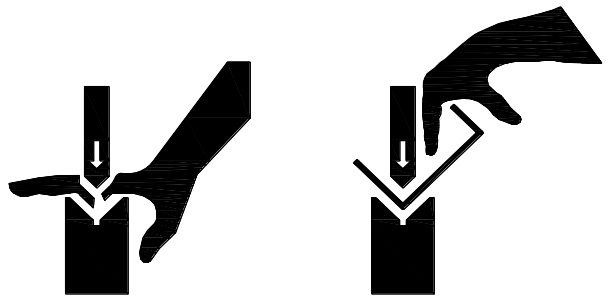
PROTECT AGAINST NOISE

Prolonged exposure to loud noise can cause impairment or loss of hearing. Wear suitable hearing protective devices such as ear muffs or earplugs to protect against objectionable or uncomfortable loud noises.



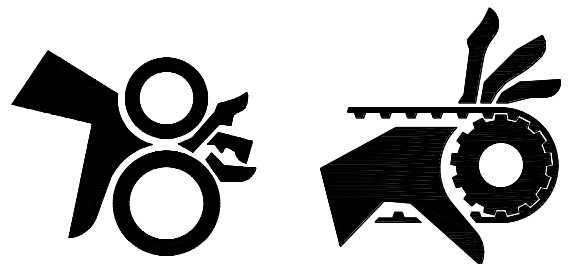
BEWARE OF CRUSH HAZARD

NEVER place your hands, fingers, or any part of your body in the die area of this machine. Be aware of the area on either side of the dies for crush points created by material movement.



BEWARE OF PINCH POINTS

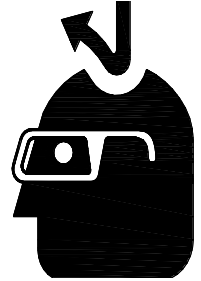
Keep hands and fingers away from the drive mechanisms, cylinders, ratchets, and other moving linkage while the machine is in operation.





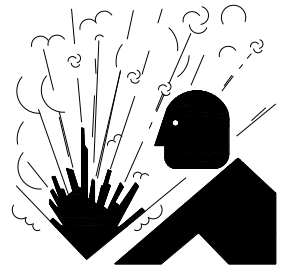
KEEP CLEAR OF MOVING OBJECTS

Always be aware of the position of the material and the swing area in which the material will travel. The material will swing with significant force. This swing area will create pinch points and the force of the material movement may cause serious bodily injuries.



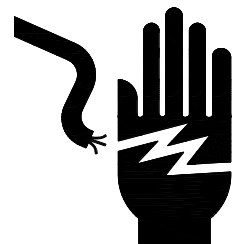
HYDRAULIC HOSE FAILURE

Exercise **CAUTION** around hydraulic hoses in case of a hose or fitting failure.



HIGH VOLTAGE

USE CAUTION IN HIGH VOLTAGE AREAS. DO NOT assume the power to be off.
FOLLOW PROPER LOCKOUT PROCEDURES.





SAFETY PRECAUTIONS



Metal working can be dangerous if safe and proper operating procedures are not followed. As with all machinery, there are certain hazards involved with the operation of the product. Using the machine with respect and caution will considerably lessen the possibility of personal injury. However, if normal safety precautions are overlooked or ignored, personal injury to the operator may result.

Safety equipment such as guards, hold-downs, safety glasses, dust masks and hearing protection can reduce your potential for injury. But even the best guard won't make up for poor judgment, carelessness or inattention. **Always use common sense** and exercise **caution** in the workshop. If a procedure feels dangerous, don't try it.

REMEMBER: Your personal safety is your responsibility.



WARNING: FAILURE TO FOLLOW THESE RULES MAY RESULT IN SERIOUS PERSONAL INJURY

1. **Only trained and qualified personnel can operate this machine.**
2. **Make sure guards are in place and in proper working order before operating machinery.**
3. **Remove any adjusting tools.** Before operating the machine, make sure any adjusting tools have been removed.
4. **Keep work area clean.** Cluttered areas invite injuries.
5. **Overloading machine.** By overloading the machine you may cause injury from flying parts. **DO NOT** exceed the specified machine capacities.
6. **Dressing material edges.** Always chamfer and deburr all sharp edges.
7. **Do not force tool.** Your machine will do a better and safer job if used as intended. **DO NOT** use inappropriate attachments in an attempt to exceed the machines rated capacity.
8. **Use the right tool for the job. DO NOT** attempt to force a small tool or attachment to do the work of a large industrial tool. **DO NOT** use a tool for a purpose for which it was not intended.
9. **Dress appropriate. DO NOT** wear loose fitting clothing or jewelry as they can be caught in moving machine parts. Protective clothing and steel toe shoes are recommended when using machinery. Wear a restrictive hair covering to contain long hair.
10. **Use eye and ear protection.** Always wear ISO approved impact safety goggles. Wear a full-face shield if you are producing metal filings.



11. **Do not overreach.** Maintain proper footing and balance at all times. **DO NOT** reach over or across a running machine.
12. **Stay alert.** Watch what you are doing and use common sense. **DO NOT** operate any tool or machine when you are tired.
13. **Check for damaged parts.** Before using any tool or machine, carefully check any part that appears damaged. Check for alignment and binding of moving parts that may affect proper machine operation.
14. **Observe work area conditions.** **DO NOT** use machines or power tools in damp or wet locations. Do not expose to rain. Keep work area well lighted. **DO NOT** use electrically powered tools in the presence of flammable gases or liquids.
15. **Keep children away.** Children must never be allowed in the work area. **DO NOT** let them handle machines, tools, or extension cords.
16. **Store idle equipment.** When not in use, tools must be stored in a dry location to inhibit rust. Always lock up tools and keep them out of reach of children.
17. **DO NOT operate machine if under the influence of alcohol or drugs.** Read warning labels on prescriptions. If there is any doubt, **DO NOT** operate the machine.
18. **DO NOT** touch live electrical components or parts.
19. **Turn off** power before checking, cleaning, or replacing any parts.
20. Be sure **all** equipment is properly installed and grounded according to national, state, and local codes.
21. **DO NOT** bypass or defeat any safety interlock systems.
22. Keep visitors a safe distance from the work area.



TECHNICAL SPECIFICATIONS

Maximum Center Line Radius (CLR)*	10.5" (266mm)
Minimum Center Line Radius (CLR)*	.5" (12.7mm)
Minimum OD	.25" (6.35mm)
Mild Steel Pipe (Schedule 40) Based on a material tensile strength of 60000 PSI – mild steel	2" (50.8mm)
Aluminum Pipe (Schedule 40)	2" (50.8mm)
Stainless Steel Pipe (Schedule 40)	1.5" (38.1mm)
Mild Steel Round Tube (Wall)	2.5" (.125) (63.5mm [3.175mm])
Aluminum Round Tube (Wall)	2.5" (.156) (63.5mm [3.96mm])
Stainless Steel Round Tube (Wall)	2.375" (.125) (60.325mm [3.175mm])
Chromolly Round Tube (Wall)	2" (.125) (50.8mm [3.175mm])
Mild Steel Solid Rod	1.25" (31.75mm)
Mild Steel Square Tube (Wall)	2" (.125) (50.8mm [3.175mm])
Power Supply	110VAC, 20A, 1ph, 60Hz
Sound level	<70db
Shipping Weight (Lbs.)	546lbs. (248kg)
Shipping Dimensions (L x W x H)	60" x 44" x 50" (1524 x 1118 x 1270mm)
Based on a material tensile strength of *60000 PSI – mild steel	

*CLR will vary based upon actual material and wall thickness.

TECHNICAL SUPPORT

Our technical support department can be reached at 920.684.4990, and asking for the support desk for purchased machines. Tech Support handles questions on machine setup, schematics, warranty issues, and individual parts needs: (other than die sets and blades).

For specific application needs or future machine purchases contact the Sales Department at: sales@baileighindustrial.com, Phone: 920.684.4990, or Fax: 920.684.3944.



Note: The photos illustrations used in this manual are representative only and may not depict the actual color, labeling or accessories and may be intended to illustrate technique only.



Note: The specifications and dimensions presented here are subject to change without prior notice due to improvements of our products.



UNPACKING AND CHECKING CONTENTS

Your Baileigh machine is shipped complete in one crate. Separate all parts from the packing material and check each item carefully. Make certain all items are accounted for before discarding any packing material.

⚠ WARNING: SUFFOCATION HAZARD! Immediately discard any plastic bags and packing materials to eliminate choking and suffocation hazards to children and animals.
If any parts are missing, do not plug in the power cable, or turn the power switch on until the missing parts are obtained and installed correctly.

Cleaning

Your machine may be shipped with a rustproof waxy oil coating and grease on the exposed unpainted metal surfaces. To remove this protective coating, use a degreaser or solvent cleaner. For a more thorough cleaning, some parts will occasionally have to be removed. **DO NOT USE** acetone or brake cleaner as they may damage painted surfaces. Follow manufacturer's label instructions when using any type of cleaning product. After cleaning, wipe unpainted metal surfaces with a light coating of quality oil or grease for protection.

⚠ WARNING: DO NOT USE gasoline or other petroleum products to clean the machine. They have low flash points and can explode or cause fire.

⚠ CAUTION: When using cleaning solvents work in a well-ventilated area. Many cleaning solvents are toxic if inhaled.





TRANSPORTING AND LIFTING

⚠ CAUTION: Lifting and carrying operations should be carried out by skilled workers, such as a truck operator. Make sure the machine is well balanced. Choose a location that will keep the machine free from vibration and dust from other machinery. Keep in mind that having a large clearance area around the machine is important for safe and efficient working conditions.

Follow these guidelines when lifting:

- The lift truck must be able to lift at least 1.5 – 2 times the machines gross weight.
- Make sure the machine is balanced. While transporting, avoid rough or jerky motion, and maintain a safe clearance zone around the transport area.
- Use a fork lift with sufficient lifting capacity and forks that are long enough to reach the complete width of the machine.
- Remove the securing bolts that attach the machine to the pallet.
- Approaching the machine from the side, lift the machine on the frame taking care that there are no cables or pipes in the area of the forks.
- Move the machine to the required position and lower gently to the floor.
- Level the machine so that all the supporting feet are taking the weight of the machine and no rocking is taking place.

INSTALLATION

IMPORTANT:


Consider the following when looking for a suitable location to place the machine:

- Overall weight of the machine.
- Weight of material being processed.
- Sizes of material to be processed through the machine.
- Space needed for auxiliary stands, work tables, or other machinery.
- Clearance from walls and other obstacles.
- Maintain an adequate working area around the machine for safety.
- Have the work area well illuminated with proper lighting.



- Keep the floor free of oil and make sure it is not slippery.
- Remove scrap and waste materials regularly, and make sure the work area is free from obstructing objects.
- If long lengths of material are to be fed into the machine, make sure that they will not extend into any aisles.
- **LEVELING:** The machine should be sited on a level, concrete floor. For stationary machines, provisions for securing it should be in position prior to placing the machine. The accuracy of any machine depends on the precise placement of it to the mounting surface.
- **FLOOR:** This tool distributes a large amount of weight over a small area. Make certain that the floor is capable of supporting the weight of the machine, work stock, and the operator. The floor should also be a level surface. If the unit wobbles or rocks once in place, be sure to eliminate by using shims.
- **WORKING CLEARANCES:** Take into consideration the size of the material to be processed. Make sure that you allow enough space for you to operate the machine freely.
- **POWER SUPPLY PLACEMENT:** The power supply should be located close enough to the machine so that the power cord is not in an area where it would cause a tripping hazard. Be sure to observe all electrical codes if installing new circuits and/or outlets.

ASSEMBLY AND SET UP

 **WARNING:** For your own safety, **DO NOT** connect the machine to the power source until the machine is completely assembled and you read and understand the entire instruction manual.

1. Remove the machine from the skid it was shipped on and install the casters and wheels.
2. Check the oil level and top off if necessary.
3. Read through the remainder of the manual and become familiar with the die installation and settings as well as normal operation.
4. Position the machine as desired following the installation guidelines.
5. Follow the electrical guidelines to connect the machine to a power supply.



Item	Description	Function
A	Forward Foot Pedal	Will operate the machine in the cw direction
B	Reverse Foot Pedal	Will operate the machine in the ccw direction
C	Hydraulic Reservoir	Holds the oil for operating the hydraulics.
D	Hydraulic Pump and Valve Assembly	Provides and controls the oil flow.
E	Electric Motor	Provides the power to power the hydraulics.
F	Anti-Springback Pin Assembly	Locks the rotation of the bending plate to retract the cylinder and provide additional rotation.
G	Hydraulic Cylinder	Supply the bending force to rotate the bending plate.
H	Quick Release (shown with a counter die installed)	For pivoting counter die away from bend die to remove material quickly.
I	Hitch Pin	Used to secure counterdie to quick release.
J	Main Spindle And Drive Pins (shown with a square tube forming die installed)	For supporting and driving the forming die.
K	Bend Angle Scale	A graduated scale used to indicates the bend angle that the spindle is currently positioned at.
L	Bend Angle Indicator	Indicates the bend angle that the spindle is currently positioned at.
M	Anti-springback Lever	Disengages the lock pin from the locking teeth.

GENERAL DESIGN DESCRIPTION

You have made a practical choice in purchasing the RDB-125 Hydraulic Bending Machine. It has been carefully built of high quality materials and designed to give many years of efficient service. The simplicity of design and minimum effort required to operate the machine contributes towards meeting schedules and producing greater profits.

The RDB-125 is an electric powered hydraulically operated "Rotary Draw" bending machine. To bend material, a bending die and counter die are required. The material is hooked by the bending dies' hook arm and is powerfully rotated in the clockwise direction. As the bending die rotates, the counter die forces the material to conform to the radius and shape of the bending die.

The RDB-125 Bending Machine you have purchased is built of solid steel ensuring maximum rigidity. Grade 8 bolts throughout provides very high rigidity and stability.

Throughout this manual are listed various safety-related descriptions for attention. These matters for attention contain the essential information to the operators while operating, and maintaining. Failure to follow these instructions may result in great damage to the machine or injury to the operator.



ELECTRICAL

⚠ CAUTION: HAVE ELECTRICAL UTILITIES CONNECTED TO MACHINE BY A CERTIFIED ELECTRICIAN!
Check if the available power supply is the same as listed on the machine nameplate.

⚠ WARNING: Make sure the grounding wire (green) is properly connected to avoid electric shock. DO NOT switch the position of the green grounding wire if any electrical plug wires are switched during hookup.

Motor Specifications

Your tool is wired for 110 volt, 60Hz alternating current. Before connecting the tool to the power source, make sure the machine is cut off from power source.

Considerations

- Observe local electrical codes when connecting the machine.
- The circuit should be protected with a time delay fuse or circuit breaker with a amperage rating slightly higher than the full load current of machine.
- A separate electrical circuit should be used for your tools. Before connecting the motor to the power line, make sure the switch is in the "OFF" position and be sure that the electric current is of the same characteristics as indicated on the tool.
- All line connections should make good contact. Running on low voltage will damage the motor.
- In the event of a malfunction or breakdown, grounding provides a path of least resistance for electric current to reduce the risk of electric shock. This tool is equipped with an electric cord having an equipment-grounding conductor and a grounding plug. The plug must be plugged into a matching outlet that is properly installed and grounded in accordance with all local codes and ordinances.

⚠ WARNING: In all cases, make certain the receptacle in question is properly grounded. If you are not sure, have a qualified electrician check the receptacle.



- Improper connection of the equipment-grounding conductor can result in risk of electric shock. The conductor with insulation having an outer surface that is green with or without yellow stripes is the equipment-grounding conductor. If repair or replacement of the electric cord or plug is necessary, do not connect the equipment-grounding conductor to a live terminal.
- Check with a qualified electrician or service personnel if the grounding instructions are not completely understood, or if in doubt as to whether the tool is properly grounded.
- Repair or replace damaged or worn cord immediately.

Extension Cord Safety

Extension cord should be in good condition and meet the minimum wire gauge requirements listed below:

AMP RATING	LENGTH		
	25ft	50ft	100ft
0-6	16	16	16
7-10	16	16	14
11-12	16	16	14
13-16	14	12	12
17-20	12	12	10
21-30	10	10	No
WIRE GAUGE			

An undersized cord decreases line voltage, causing loss of power and overheating. All cords should use a ground wire and plug pin. Replace any damaged cords immediately.



OPERATION

⚠ CAUTION: Always wear proper eye protection with side shields, safety footwear, and leather gloves to protect from burrs and sharp edges.

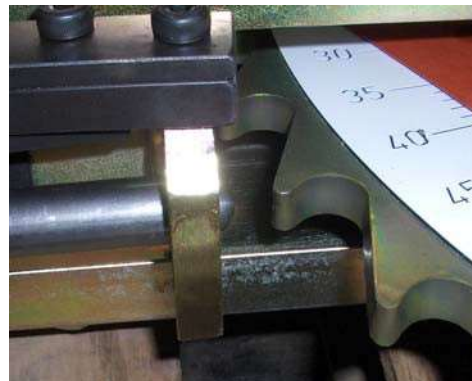
⚠ CAUTION: Keep hands and fingers clear of the dies and swing arms. Stand to the front of the machine to avoid getting hit with the material during the bending process. When handling large heavy materials make sure they are properly supported.

Bending

1. Before actually bending, several “dry runs” should be performed. This will also help to become familiar with all of the machine functions.
2. Activate the “on/off” switch to turn the hydraulic pump on.
3. Keep hands away from the bending zone.
4. With the drive lever (cylinder fully retracted) and the ratchet wheel in the home (0°) position, bending can take place.
5. When the machine is in the home position, engage the anti-springback lever to engage the locking pin into the ratchet teeth.



Anti-springback lever engaged



Anti-springback lever disengaged

6. Activate forward foot pedal and the drive lever will engage the first tooth of the ratchet wheel. Hold the forward foot pedal and the cylinder will fully extend. This will rotate the bending and ratchet plate to approximately 45 degrees of bend angle. As the cylinder is extending, the anti-springback lock pin will be clicking as it passes by each tooth on the ratchet wheel.



7. After full extension, press the reverse foot pedal, as the drive lever retracts, the anti-springback lock pin will hold the ratchet wheel in place. You can restart the bending process at any tooth on the ratchet wheel or return the machine to the home position and get the maximum degrees per stroke. Each tooth on the ratchet wheel represents approximately 7 degrees of bend.
8. If the bend requires more degrees, increase the degrees by repeating step 6 until the desired degrees of bend is achieved. This allows the operator to gradually reach a bend angle, on the first set up piece. Once the proper degree of bend is achieved, document the degree (ex; 98deg = 90deg bend, 8degrees of spring back) so multiple bends to that same degree can be accomplished.
9. When at the desired degree position the drive lever can be returned to the home position.

Material Removal

1. After reaching the desired angle, the material needs to be removed.
2. Pull the anti-springback lever (clockwise) to release tension.



CAUTION: Stand clear of the material it may spring out quickly.

3. Rotate the main bending lever fully to the right or clockwise, this will free the ratchet wheel completely. Grab the ratchet wheel and rotate counter clockwise until it stops completely, this is the "home" or "0°" position. The degree pointer should verify this.
4. Once at the "0°" position, engage the anti-springback lever to lock the pin. Activate the quick release counter die lever and completely remove the material.
5. The machine is now at the "home" position and can be reloaded for the next bend.
6. Repeat previous steps.
7. With the reverse foot pedal, bring the drive lever to the home position. You will hear a clicking as the drive lever skips over the ratchet wheel. As the drive lever approaches home, the drive shaft slides up a ramp and disengages the ratchet wheel, stopping at home. A slight tap of the forward pedal will relieve any tension on the drive pin allowing free movement of the ratchet wheel.
8. At this point disengage the anti-springback lock pin. This will free the ratchet wheel. Grab the ratchet wheel and rotate counterclockwise until it stops completely, this is the "0°" or home position. The degree pointer should verify this.
9. For another bend on the same workpiece, restart steps from step 4 above.



DIE SELECTION AND INSTALLATION

Before any bending can take place, the proper die set must be chosen to match the material being bent. (EX) 1-1/2" diameter tubing requires a die set marked 1-1/2" tube.

- A Hook Arm
- B Bend Die
- C Hold down Bolts
- D Plastic Slide
- E Counter Die Mount
- F Bronze Counter Die Insert
- G "0" Mark



Note: Pipe and Tube are not the same, (see table 1) for nominal pipe sizes. All BAILEIGH INDUSTRIAL dies are color coded to avoid confusion between pipe and tube (see table 2).



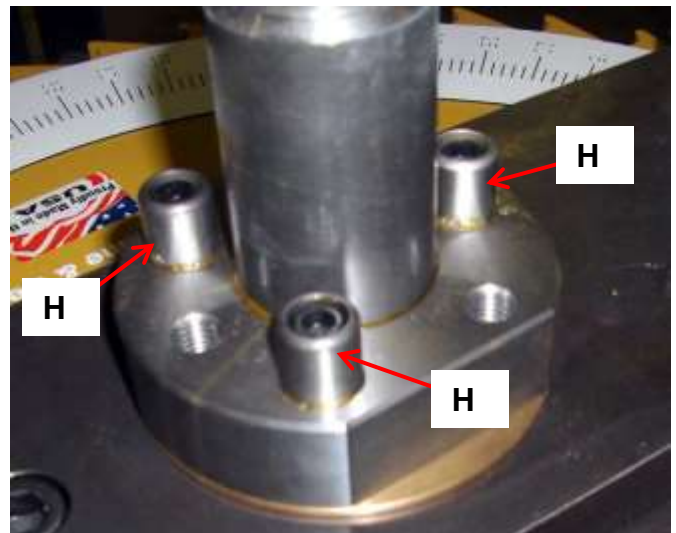
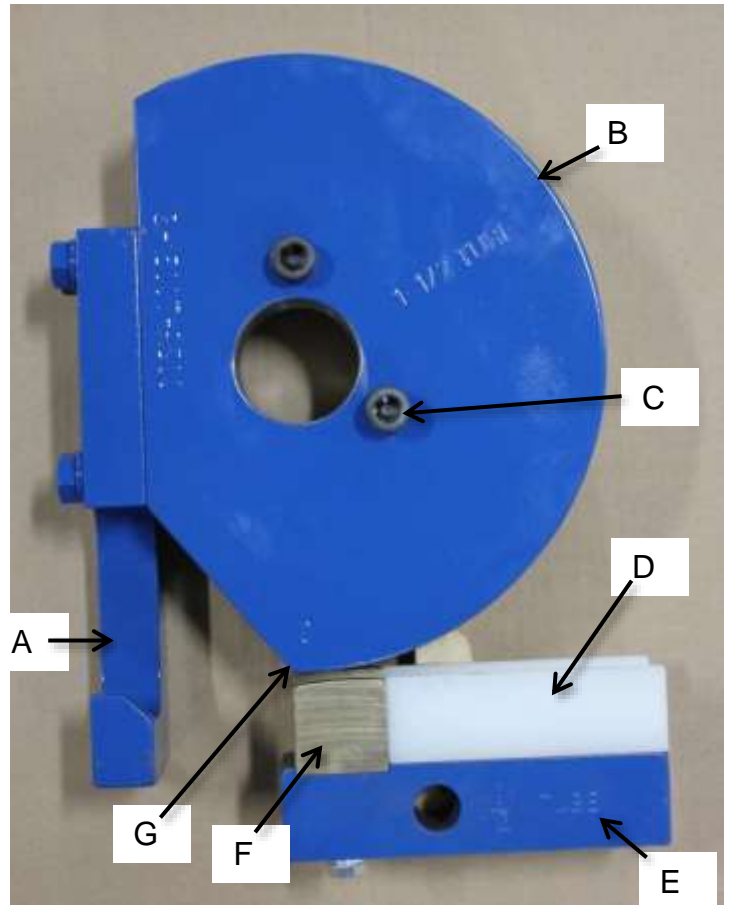
IMPORTANT: Damaged or worn tooling should be replaced before attempting to bend material. This will ensure that bends are correct and provide a longer life to machine components. When handling large heavy dies and/or material, make sure it is properly lifted and supported.

1. To install the die, slip the die over the centering pin until the three unequally spaced drive pins (H) engage the receiving holes formed in the die.



Note: The die will only fit one way.

2. When the drive pins line up the die will drop all the way down to the spindle.



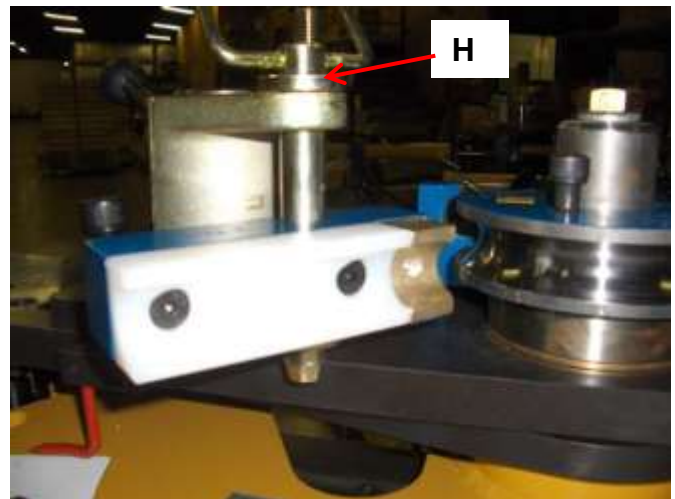


3. Install and tighten the 1/2-13 socket head bolts provided with the die. Tighten these bolts enough to hold the die firmly down to the spindle. Approximately 30-40ft-lb. (40-50N•m).

⚠ IMPORTANT: FAILURE TO PROPERLY BOLT DOWN DIE WILL RESULT IN DAMAGE TO MACHINE AND TOOLING.



4. To install the counter die, remove the hitch pin (H) and insert the counter die in the opening in the counter die mount until the 3/4" holes line up.
5. Now insert the hitch pin through all the holes.
6. The counter die should be positioned approximately 1/8" (3mm) away from the die. This is accomplished by a combination of the slide plate position and changing between the two provided quick releases. See the Counterdie Placement Chart near the end of the manual.
7. In combination, install the recommended quick release (silver or gold) and then position the slide plate in the recommended holes.
8. Tighten the two socket head bolts to 200lb ft. (27Nm).



⚠ IMPORTANT: The two 3/4-10 bolts hold the slide plate mechanism in place against the force generated during bending.



Incorrect Counterdie Position



Too far away from die



Touching die

Correct Counter Die Position



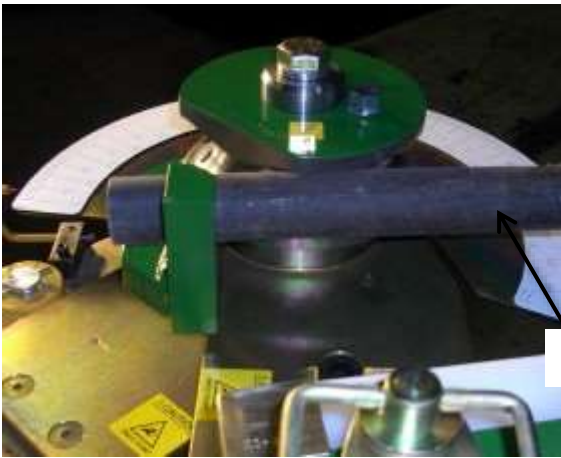
Approximately 1/8" (3mm) away

⚠ **IMPORTANT:** Be sure the long end of the counter die points away from the hook arm, or to the right of machine.



Material Insertion

1. Once the die set is properly installed, the material that matches the die can be inserted (I.E. 1-1/4" tube would go into a die mark D-1250T-R***).
2. Open the counter die quick release assembly and insert the material past the hook arm. The start of bend mark is engraved with an "O" on the top of the die. Once the material is placed properly, the counter die slide block assembly can be tightened.



Inserting material to start



Lubricating counter die bending



Important: Liberally apply lubricant along the counterdie and the 1/2 of the material that contacts the counter die (A) with a WD-40 style lubricant or equivalent. Do not lubricate the bending die. Lubricating the bending die will encourage slipping of material in the bending die.

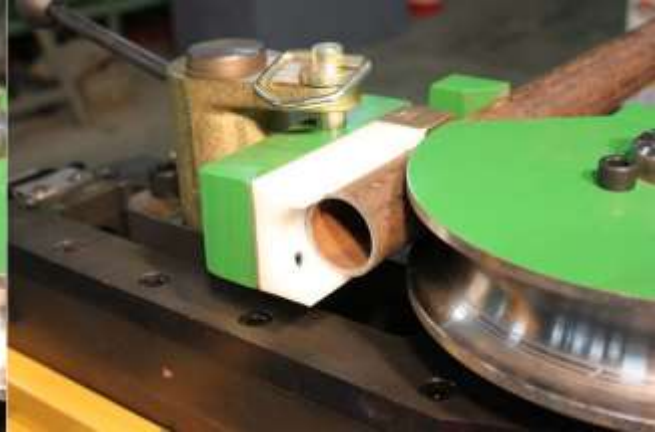
3. Rotate the quick release counter die assembly until it firmly stops against its stop bolt. In some cases usually with pipe the quick release will not close all the way. This is ok, as the forward foot pedal is activated the material will force its way into the die and bend properly.



Material Insertion Limitations



Left



Right

- The left figure shows the recommended minimum / correct amount of material remaining to be fully supported in plastic slide.
- The right figure shows the maximum amount the material can be pulled through the counter die. Pulling the material further than shown into the counter die, it will destroy the plastic slide.
- Extreme care must be taken when bending material with an existing bend. There must be enough straight material to complete the bend. If there is not enough material the bent part of the material will crash into the counter die and damage the machine and tooling. In the left figure, there is not enough material to complete a 90deg. bend. This bend will damage the dies.



IMPORTANT: Orienting your material in this fashion will cause damage to your tooling and machine!! DO NOT pull bent material into the counter die! Make sure you have enough straight material on the draw side of the material to create your bend.



Bending More than 180 Degrees

- This machine is capable of bending more than 180 degrees. Contact Baileigh Industrial about your application.
 - It will require a password to make the machine go past 200 degrees.
 - Requires special tooling to allow removal of bent part. If standard tooling is used, the material will be locked onto the die.

UNDERSTANDING SPRINGBACK

Springback can be difficult to understand. As material is bent, the materials yield strength resists being formed. As a final degree is reached, the machine will have enough power to hold the bend at a set degree, but as the pressure of the machine is released, the material has a resistance built in, so it “springs back”

Springback will vary with every size, type and wall thickness, so it will never be consistent from size to size.

The best way to determine a materials springback is to do sample bends to 90 degrees until a perfect 90 is obtained.

- At that point document the actual machine degrees.
- Full manual mode is the best place to do these tests.
- Use the overbend amount and enter that value into the springback field.

MATERIAL SELECTION

⚠ CAUTION: It must be determined by the customer that materials being processed through the machine are NOT potentially hazardous to operator or personnel working nearby.

When selecting materials keep these instructions in mind:

- Material must be clean and dry. (without oil)
- Material should have a smooth surface so it processes easily.
- Dimensional properties of material must be consistent and not exceed the machine capacity values.
- Chemical structure of material must be consistent.
- Buy certificated steel from the same vendor when possible.



Material Layout

In order to create accurate parts, you will have to layout the material in flat form. First you will need to determine how much material is used per degree of bend. Use the multiplier table on Table #3 to determine the arc lengths for the die in use. Or use the following formula:

Alternate arc length formula:

Example: $6.0 \text{ clr} \times 2 = 12$ $12 \times 3.14 = 37.699$ $37.699 / 360 = 0.1047$ per degree
 $0.1047 \times 90 \text{ degrees} = 9.425$ of material used for a 90 degree bend.

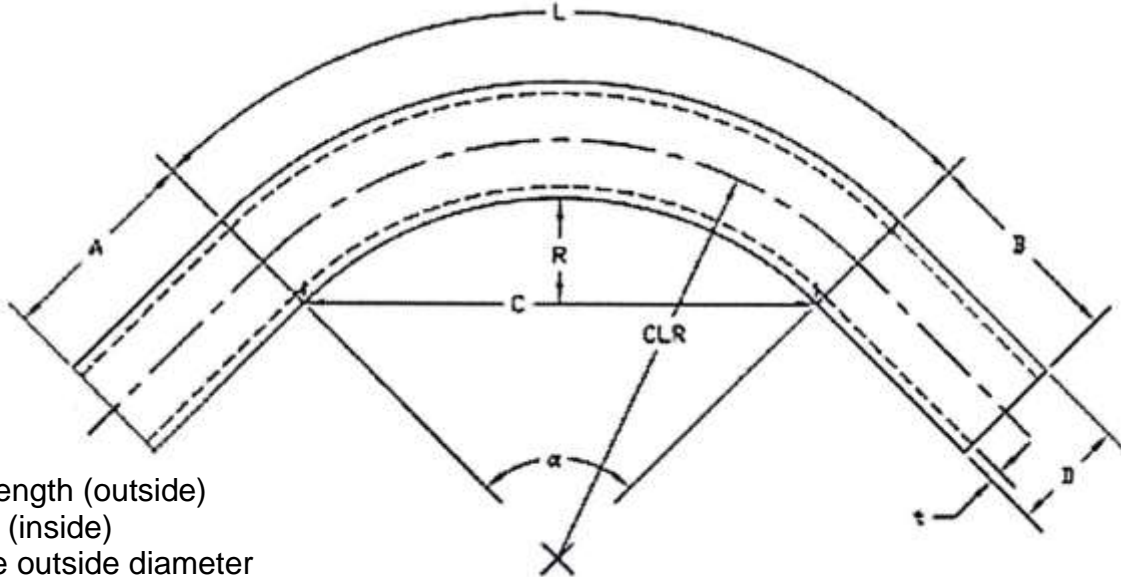
Once the arc lengths are determined you can begin layout of the material using Diagram #1 as a reference.

- Diagram #1 shows a simple part bent on the same plane in the same direction.
- Diagram #2 shows bending based off of a centerline in two directions.
- For symmetrical bends, centerline bending is easiest.
- For non-symmetrical bends, continuous one direction bending is best.

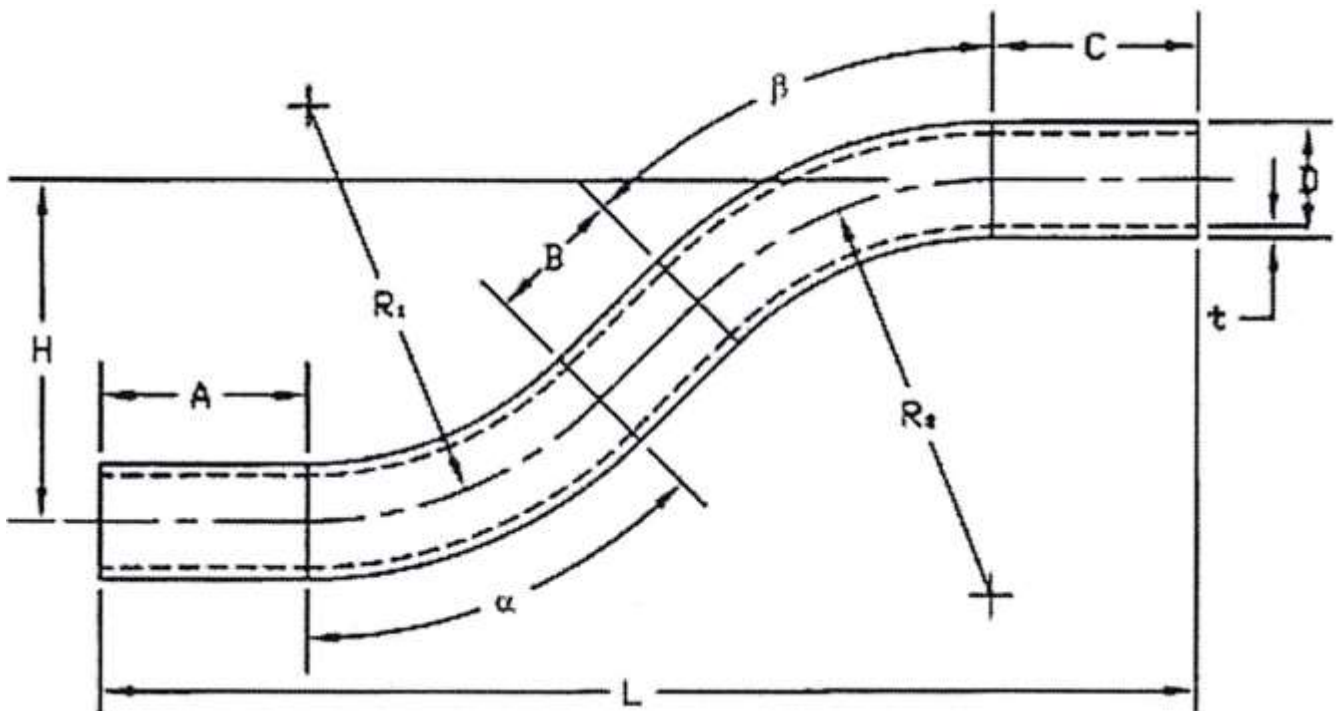
- Another way to layout material is to draw them in a 2D computer software program like Auto Cad. There are many free programs on the internet. In a 2D program you will draw the parts centerline only with corresponding clr's. Then you will be able to list individual segments of the bent part. This data can be directly entered into the control.
- Another program available is BEND-TECH which is a program specifically designed for tube bending and will give you all of the required data to make a part. This software is available from Baileigh Industrial.
- Bending with a rotary draw bender requires determining the start of bend point which will line up with the "0" mark on the die. The portion of the tube toward the hook arm will be locked to the die, the portion toward the counter die is the draw side and will slide along the counter die and conform to the dies shape/radius.



PIPE AND TUBE BENDING DIAGRAMS



L = Arc length (outside)
 R = Rise (inside)
 D = Tube outside diameter
 t = Tube wall thickness



a = First bend arc angle
 b = Second bend arc angle
 A = First tangent
 B = Straight between bends
 C = Second tangent
 D = Tube outside diameter
 H = Height of offset
 L = Length of offset
 R_1 = First radius
 R_2 = Second radius
 t = Tube Wall Thickness



BENDING GLOSSARY

Arc Length	The length of material along the centerline of the tubing
Centerline Radius (CLR)	Distance in inches from the center of curvature to the centerline axis of the tube bending or pipe bending bends. Abbreviated as CLR. See Tube Bending and Pipe Bending Diagram
Degree	Angle in degrees to which the tube/pipe bends are formed (i.e. 45 degrees, 90 degrees, 180 degrees, etc.)
Easy Way (EW)	Bending of a rectangular tube with its short side in the plane of the tube or pipe bend
Hard Way (HW)	Bending of a rectangular tube with its long side in the plane of the tube or pipe bend
I.D.	Inside diameter of the tube or pipe bends
Minimum Tangent	The minimum straight on the end of pipe bends required by the bending machine to form the bend
Neutral Axis	That portion of the pipe or tube that is neither in compression or tension.
O.D.	Outside diameter in inches of the tube or pipe
Out of Plane	The deviation of the horizontal plane of a single pipe bend between its tangent points, based on the theoretical center-line of the pipe bend
Ovality	The distortion or flattening of pipe or tube from its normal, round shape caused by the pipe bending process
Springback	Amount of degrees material will return after bending pressure is released
Tangent	The straight portion of material on either side of arc of bending bends. See Tube Bending and Pipe Bending Diagrams.
Tangent Point	The point at which the bend starts or ends. See Tube Bending and Pipe Bending Diagrams.
Wall	The thickness in inches of tubular pipe bending material.
Wrinkles	Waving or corrugation of pipe bending bends in the inner radius.



BENDING SUGGESTIONS

Aluminum Bending

If bending aluminum, lubrication is very important, if the results are less than desirable with WD-40 other lubricants can be used such as:

- Johnson Paste Wax (seems to work the best)
- High Pressure grease
- Highly rich dish soap
- The bronze counter die must be polished and have no aluminum deposits or it will continue to pick up metal.
- If using BAILEIGH INDUSTRIAL's standard counterdie is not producing desired results, roller counter dies are also available.
- BAILEIGH INDUSTRIAL has both steel rollers as well as plastic rollers. Plastic rollers are used primarily for polished aluminum. Steel rollers would be used for non-polished materials.
- Some aluminum will crack as it is being bent, 6061-T6 is very hard and may need to be annealed or ordered in the "T-0" condition. Aluminum will age harden so if possible try to get freshly run material.

Heavy Wall DOM tubing

If heavy wall materials are bent to a tight radius, they can tend to slip in the hook arm causing a poor bend result, below are some suggestions

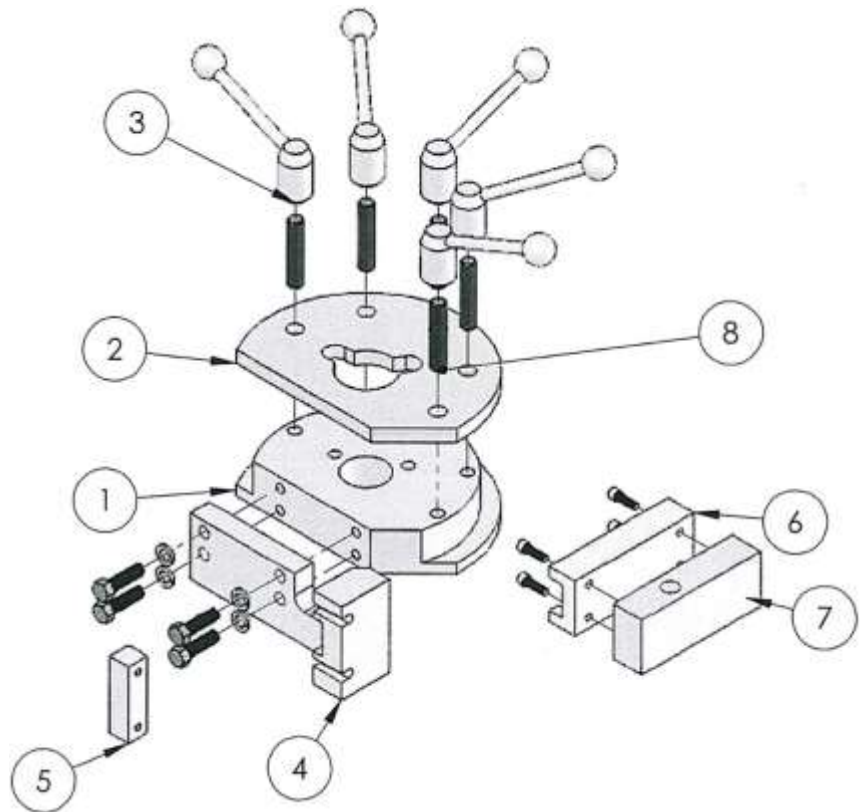
- Use a vise clamp on the outside of the hook arm to "lock" the material in place.
- Use a piece of two sided coarse emery cloth in between the hook arm and the material, this works very well.
- In only this application, high pressure grease applied to the DIE GROOVE also helps.
- BAILEIGH INDUSTRIAL can make special clamps to hold material in place.



Bending With Square Dies

- Die Parts

- 1 Main Bending Die
- 2 Die Cap
- 3 Quick Release Handles
- 4 Hook-Arm
- 5 Hook-Arm Clamp
- 6 Plastic Slide
- 7 Slide Mount
- 8 Quick Release Studs



Square Tooling Setup

1. Install the bending die (1) on to the spindle. Be careful not to pinch your fingers as you lower the die on to the spindle. The die will only fit on the spindle one way. Bolt the die to the spindle using the holes in the die.
2. Install the plastic counter die assembly (6, 7) with the long end pointing away from the hook arm.
3. Snug up the cap clamps (3). Do not over tighten! Or they will be overly difficult to loosen after the bend is complete. Note: tighten clamps without material in the die. The clamps are lift and turn, so you can position them anywhere. This allows the handles to clear the counter-die mount during bending.
4. Insert the material in to the hook arm (4) and pull in to the die. It may be a tight fit. Continue to pull until the material is fully seated in the die's groove.
5. Lube the counter die and the material that will slide along the counter die. Bring the plastic counter die assembly up to the material, leaving about 1/8" to 1/4" gap. (Note: on some thinner material it helps to keep the counter die approx. 1" away from the material)

! **IMPORTANT:** Do not lube the bending die surfaces. This will increase the possibility for slippage. Make sure all the die cap clamp handles (3) are inside the die diameter. They could catch the counter die mounting assembly and break off.



6. If the material slips during the bending operation, install the hook arm clamp (5). Do not use it unless you have to.
7. Activate the bender and bend to the desired angle.
8. To remove the material, open the counter die and return bender to the "home position". Using a soft mallet, gently tap the cap clamps open and the material will spring out of the die (1). Remove the material and re-snug the cap clamps.
9. Install the next piece of material to be bent and repeat these steps.

Large Size Square

When bending larger than 1.5" (38.1mm) thinner wall square tubing, the counter die position seems to work better between 1/2" and 1" (12.7-25.4mm) farther away from the die. This seems to reduce side wall distortion and inner wrinkling. Although this suggestion is to help on large size, the same steps can be used for any square, if trying to achieve better results. If the square material slips in the hook arm, use the supplied clamp and bolts to hold in place.

BAILEIGH INDUSTRIAL offer crush bend dies to form a concave crease on the inside of square bends to reduce the possibility of wrinkling.



LUBRICATION AND MAINTENANCE

 **WARNING:** Make sure the electrical disconnect is OFF before working on the machine.

Maintenance should be performed on a regular basis by qualified personnel. Always follow proper safety precautions when working on or around any machinery.

- Check daily for any unsafe conditions and fix immediately.
- Check that all nuts and bolts are properly tightened.
- On a weekly basis clean the machine and the area around it.
- Lubricate threaded components and sliding devices.
- Apply rust inhibitive lubricant to all non-painted surfaces.

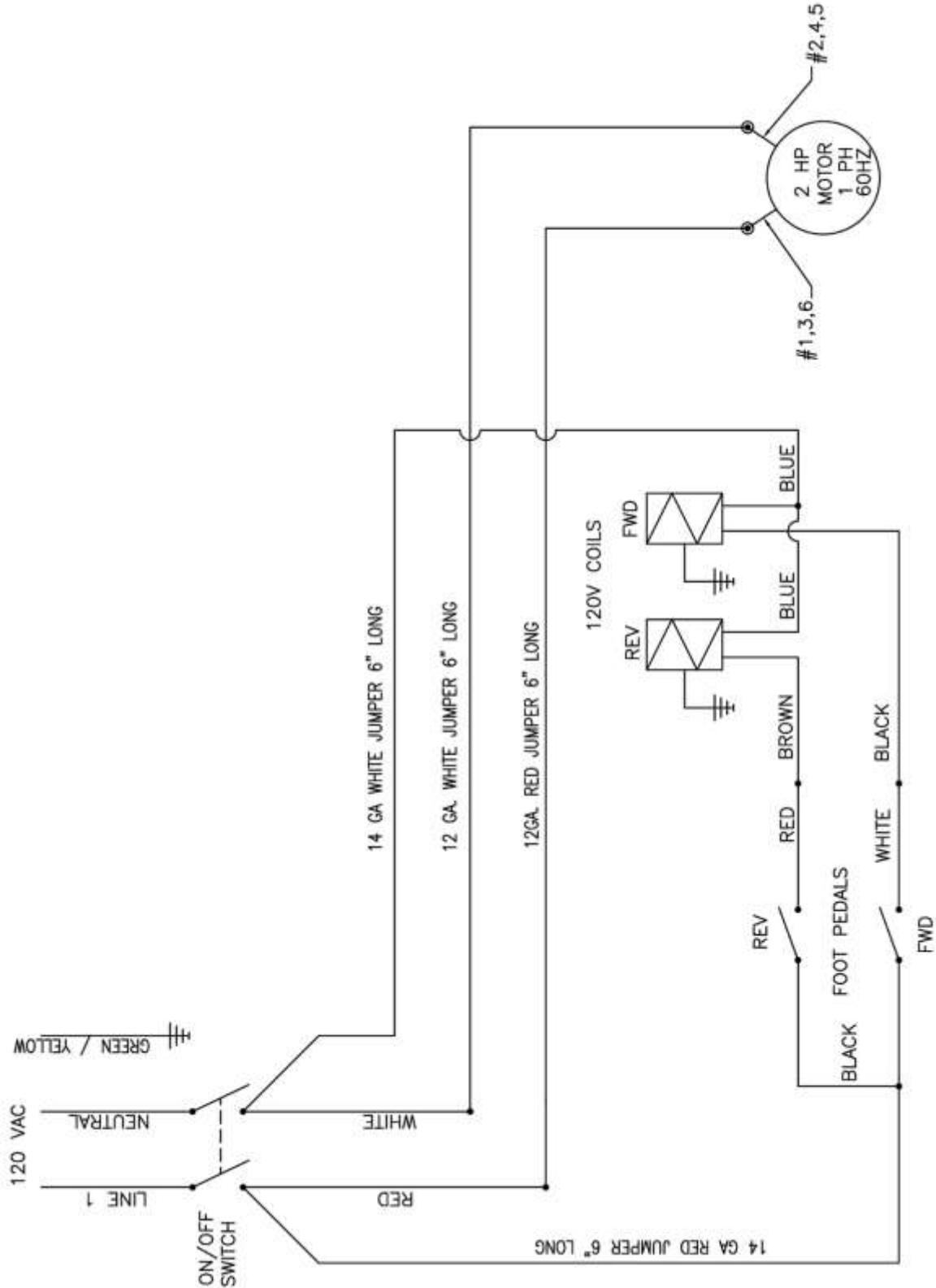


Note: *Proper maintenance can increase the life expectancy of your machine.*

- The fluid level in the power unit's reservoir should be checked monthly. If the level is below 1/2 full, fill to the top with AW-46 hydraulic fluid. Hydraulic fluid and the filter should be changed when the filter gauge reads "Change Filter".
- Check periodically for leaks. If a leak is detected, consult Baileigh Industrial.
- There are four grease zerks on the machine, at the main spindle pivots. Grease these zerks every month with only two pumps from a standard grease gun.
- Check for any loose or worn parts
- If hoses or fittings are replaced, they must be rated for 4000psi (275 bars, 282 kg/cm).



RDB-125 ELECTRICAL SCHEMATIC





TABLES, CHARTS, & DIAGRAMS

Table 1 Standard Pipe Sizes and Schedules

PIPE SIZES	O.D.	Pipe Schedules and Wall Thickness					
		5	10	40	80	160	XX STRONG
1/8	0.405	0.400	0.050	0.068	0.095		
1/4	0.540	0.500	0.070	0.088	0.119		
3/8	0.675	0.500	0.070	0.091	0.126		
1/2	0.840	0.700	0.080	0.109	0.147	0.188	0.294
3/4	1.050	0.700	0.080	0.113	0.154	0.219	0.308
1	1.315	0.700	0.110	0.133	0.179	0.250	0.358
1-1/4	1.660	0.700	0.110	0.140	0.191	0.250	0.382
1-1/2	1.900	0.700	0.110	0.145	0.200	0.281	0.400
2	2.375	0.700	0.110	0.154	0.218	0.344	0.436
2-1/2	2.875	0.800	0.120	0.203	0.276	0.375	0.552

Table 2 Die Color Code Chart

Material	Color
Pipe	Green
Tube	Blue
Metric	Red
Square or Rectangle	Gray



Table 3 ARC LENGTH TABLE

EXAMPLE: Arc Length = Constant x Bend Radius. Example: 90deg bend with 6" clr

EXAMPLE: 1.575 (from table) x 6" (clr) = 9.45" (Arc Length)

For bends more than 90deg, Constants can be added together.

Degrees	Constant	Degrees	Constant	Degrees	Constant
1	0.0175	31	0.5410	61	1.0645
2	0.0349	32	0.5584	62	1.0819
3	0.0524	33	0.5759	63	1.0994
4	0.0698	34	0.5933	64	1.1168
5	0.0873	35	0.6108	65	1.1343
6	0.1047	36	0.6282	66	1.1517
7	0.1222	37	0.6457	67	1.1692
8	0.1396	38	0.6631	68	1.1866
9	0.1571	39	0.6806	69	1.2041
10	0.1745	40	0.6980	70	1.2215
11	0.1920	41	0.7155	71	1.2390
12	0.2094	42	0.7329	72	1.2564
13	0.2269	43	0.7504	73	1.2739
14	0.2443	44	0.7678	74	1.2913
15	0.2618	45	0.7853	75	1.3088
16	0.2792	46	0.8027	76	1.3262
17	0.2967	47	0.8202	77	1.3437
18	0.3141	48	0.8376	78	1.3611
19	0.3316	49	0.8551	79	1.3786
20	0.3490	50	0.8725	80	1.3960
21	0.3665	51	0.8900	81	1.4135
22	0.3839	52	0.9074	82	1.4309
23	0.4014	53	0.9249	83	1.4484
24	0.4188	54	0.9423	84	1.4658
25	0.4363	55	0.9598	85	1.4833
26	0.4537	56	0.9772	86	1.5007
27	0.4712	57	0.9947	87	1.5182
28	0.4886	58	1.0121	88	1.5356
29	0.5061	59	1.0296	89	1.5531
30	0.5235	60	1.0470	90	1.5705



Table 4 Counter Die Placement Chart

CLR (Centerline Radius)	1" THICK COUNTERDIES	1.5" THICK COUNTERDIES	2" THICK COUNTERDIES
1	#N/A	#N/A	SILVER HOLE# 1
1.5	#N/A	SILVER HOLE# 1	GOLD HOLE# 1
2	SILVER HOLE# 1	GOLD HOLE# 1	SILVER HOLE# 2
2.5	GOLD HOLE# 1	SILVER HOLE# 2	GOLD HOLE #2
3	SILVER HOLE# 2	GOLD HOLE #2	SILVER HOLE# 3
3.5	GOLD HOLE #2	SILVER HOLE # 3	GOLD HOLE# 3
3.75	SILVER HOLE# 3	GOLD HOLE #3	SILVER HOLE# 4
4	SILVER HOLE# 3	GOLD HOLE #3	SILVER HOLE# 4
4.5	GOLD HOLE# 3	SILVER HOLE# 4	GOLD HOLE #4
5	SILVER HOLE# 4	GOLD HOLE #4	SILVER HOLE# 5
5.5	GOLD HOLE #4	SILVER HOLE# 5	GOLD HOLE# 5
6	SILVER HOLE# 5	GOLD HOLE# 5	SILVER HOLE# 6
6.5	GOLD HOLE# 5	SILVER HOLE# 6	GOLD HOLE #6
7	SILVER HOLE# 6	GOLD HOLE #6	SILVER HOLE# 7
7.5	GOLD HOLE# 6	SILVER HOLE# 7	GOLD HOLE# 7
8	SILVER HOLE# 7	GOLD HOLE #7	SILVER HOLE # 8

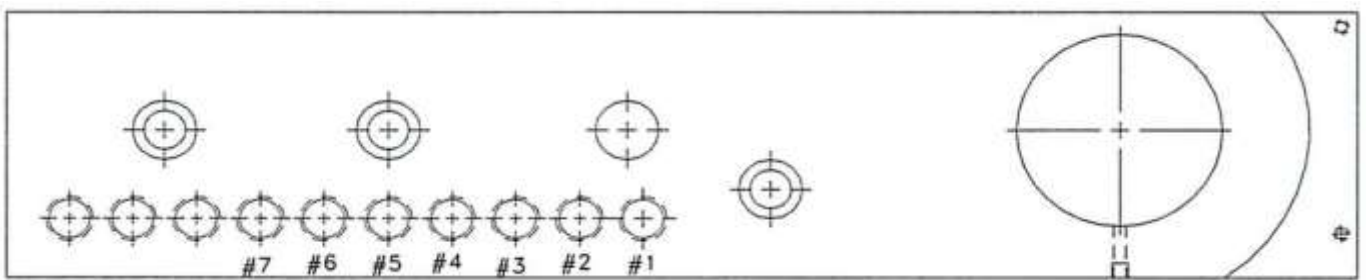




Diagram 1

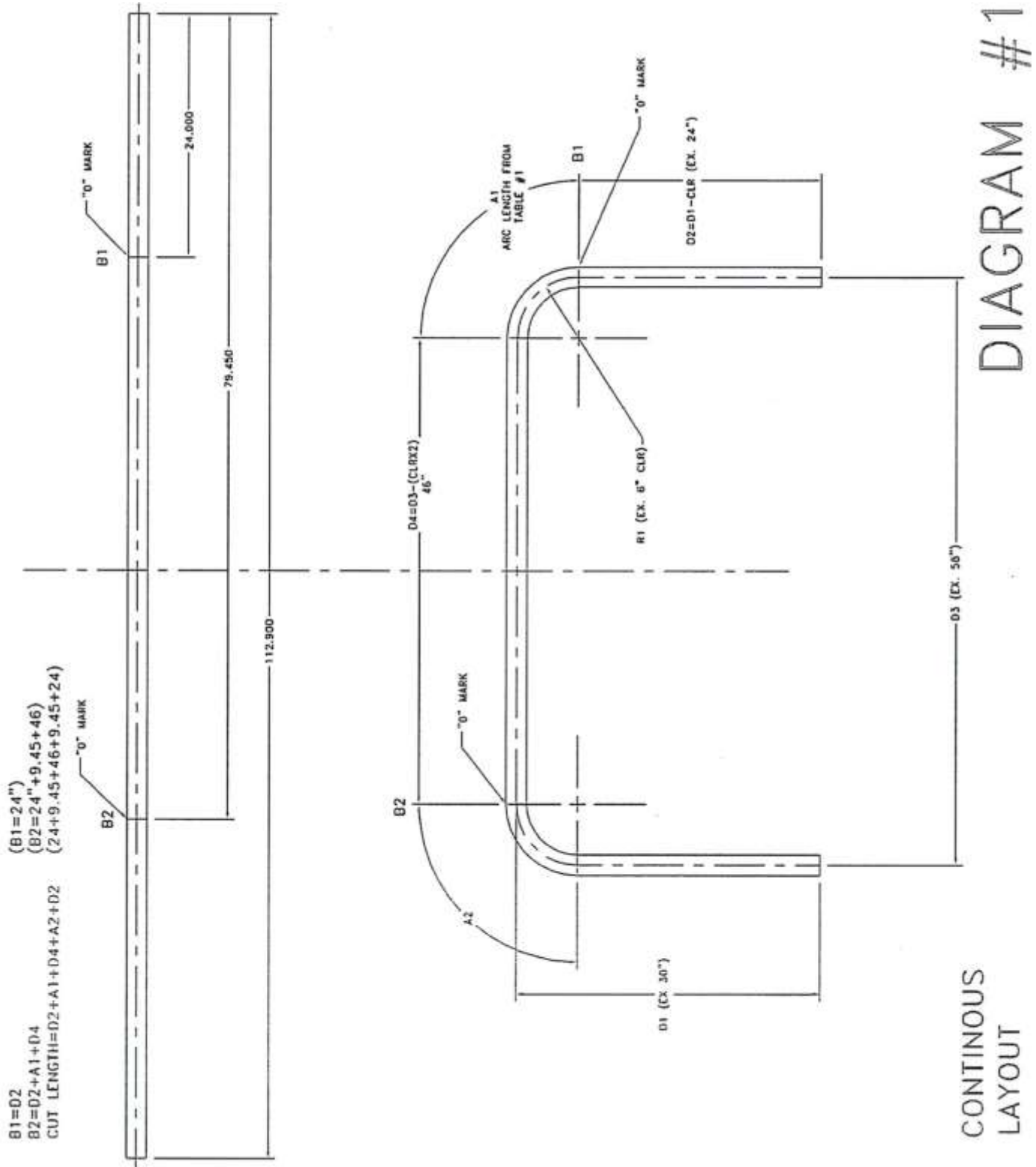




Diagram2

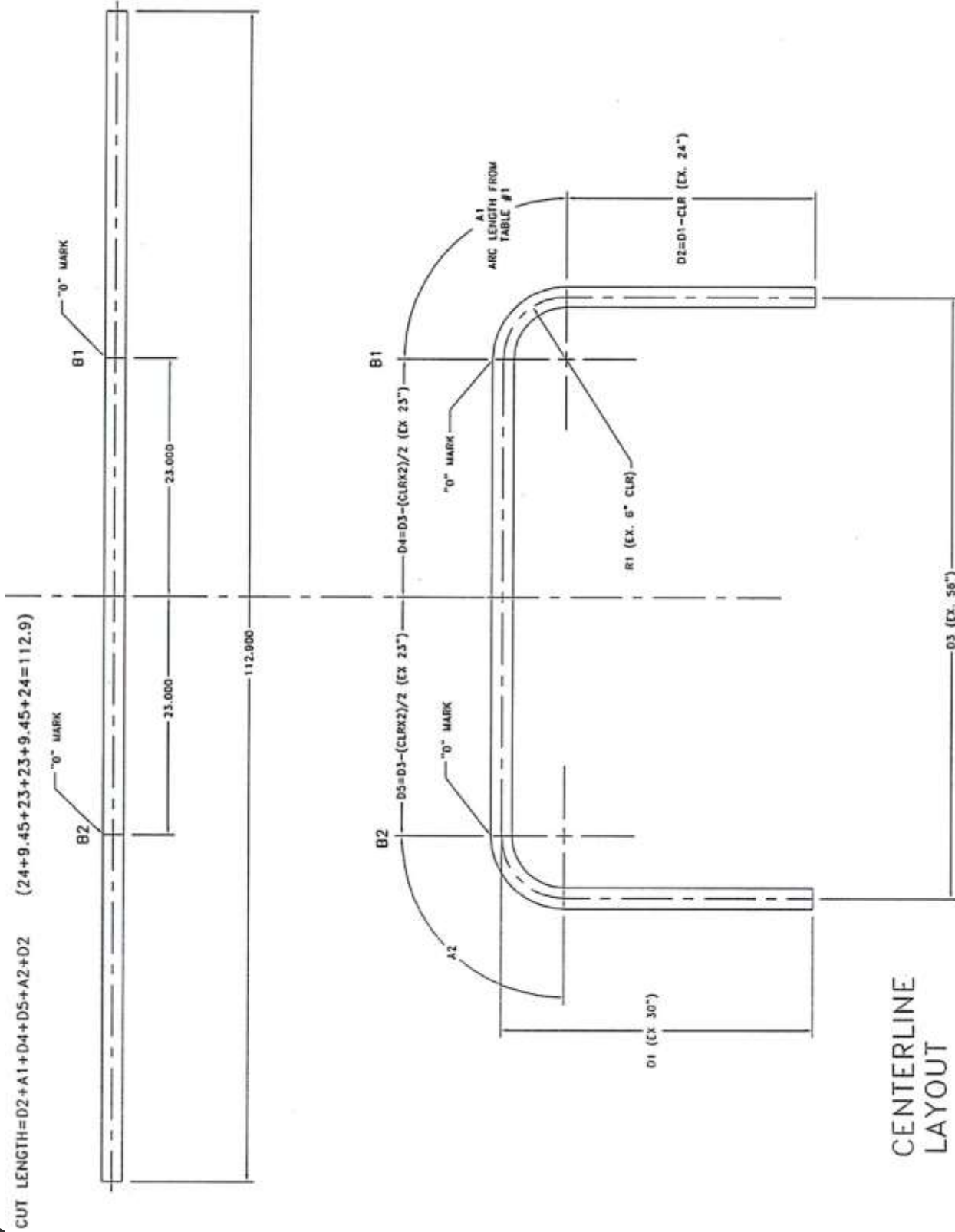
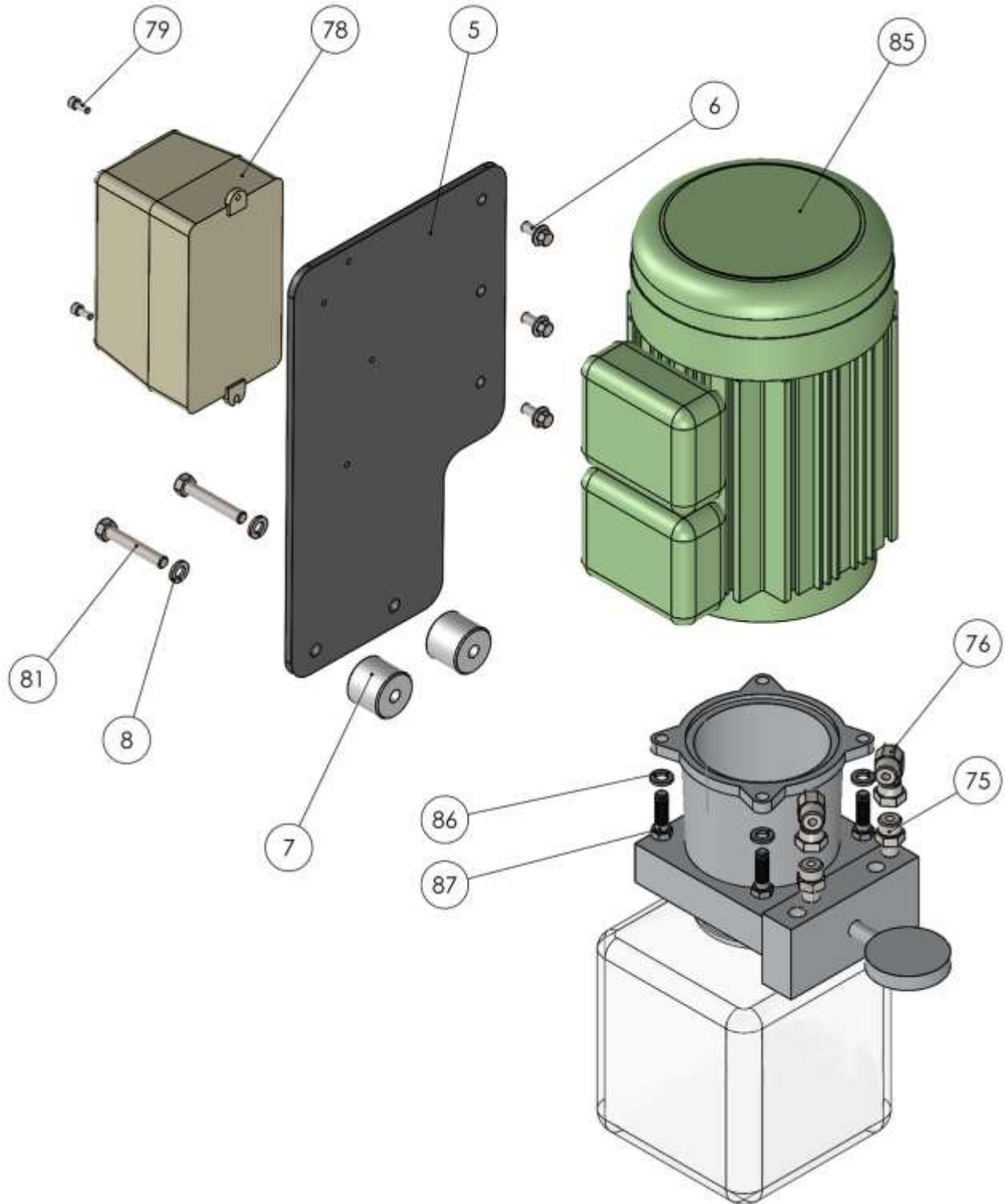


DIAGRAM #2



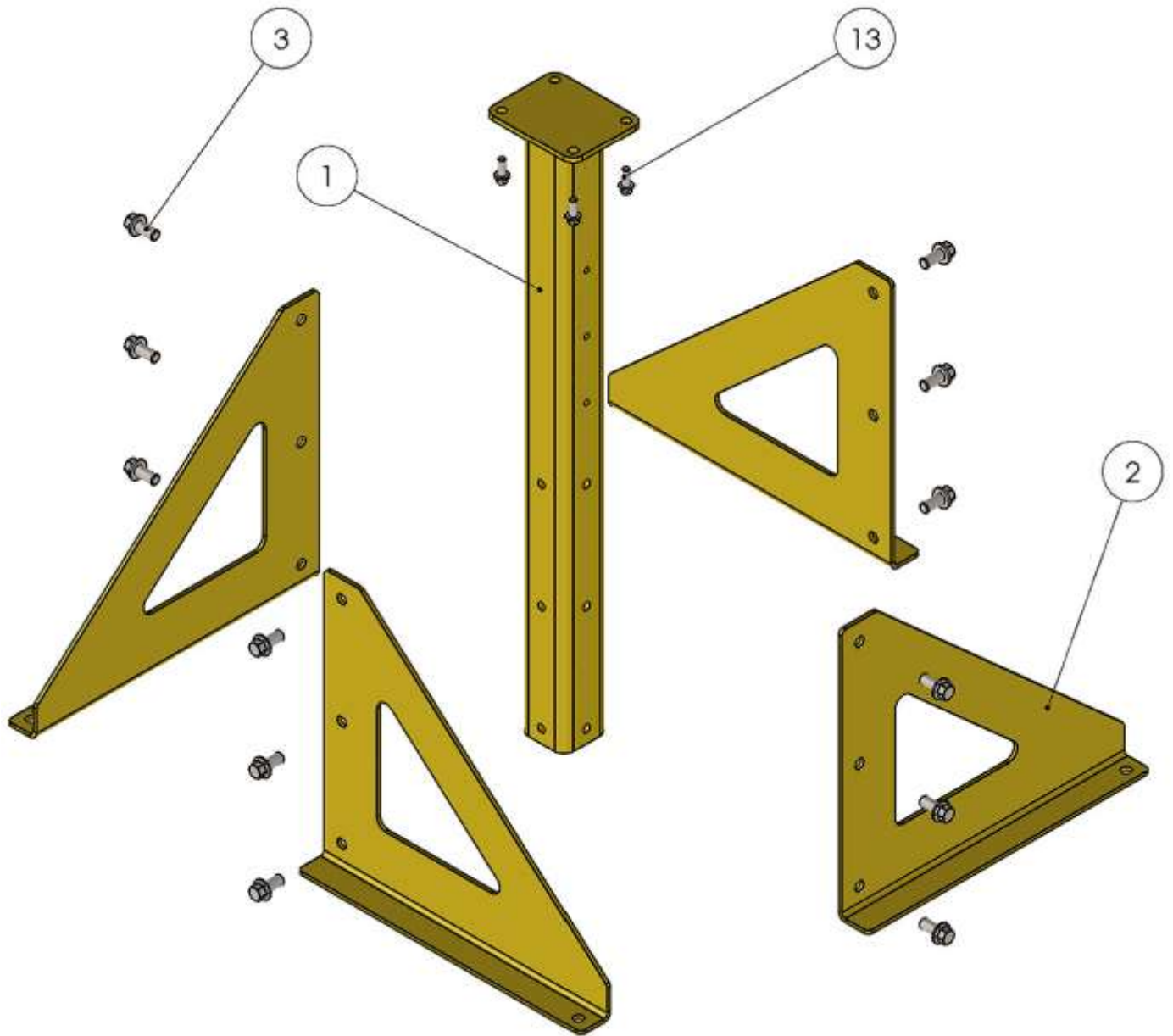
PARTS DIAGRAM

Power Unit Assembly Parts Diagram



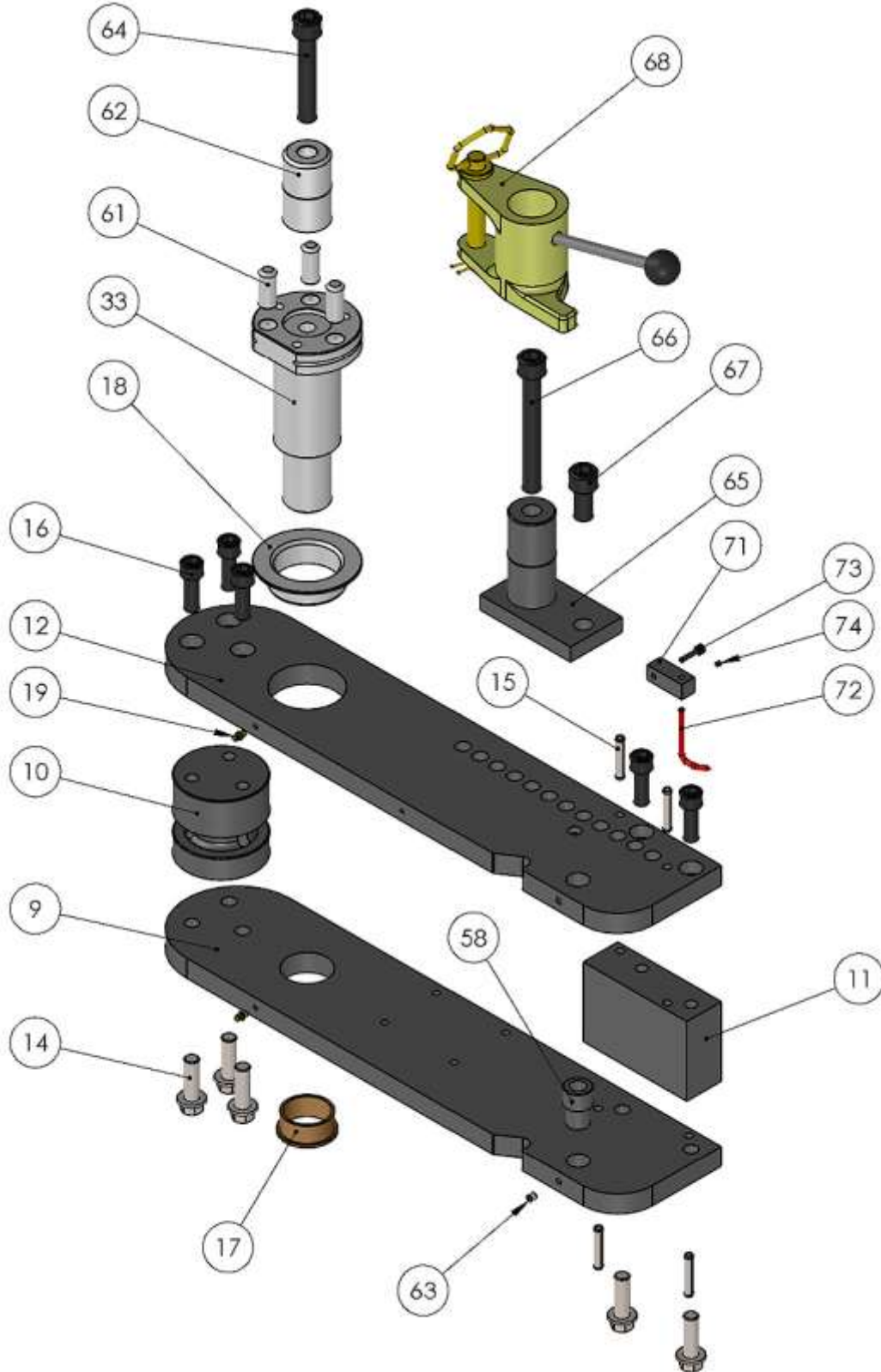


Stand Assembly Parts Diagram



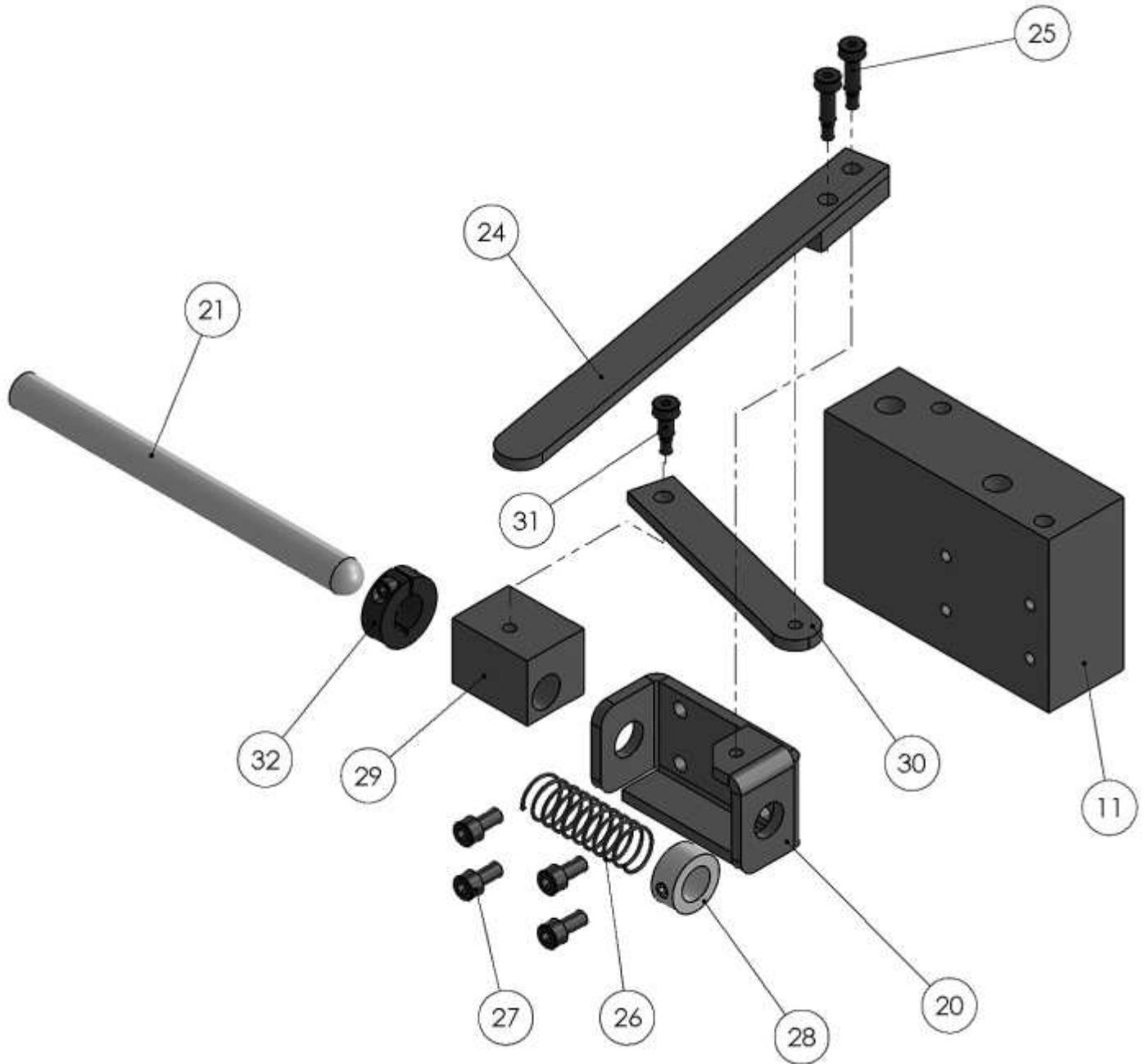


Main Frame Assembly Parts Diagram



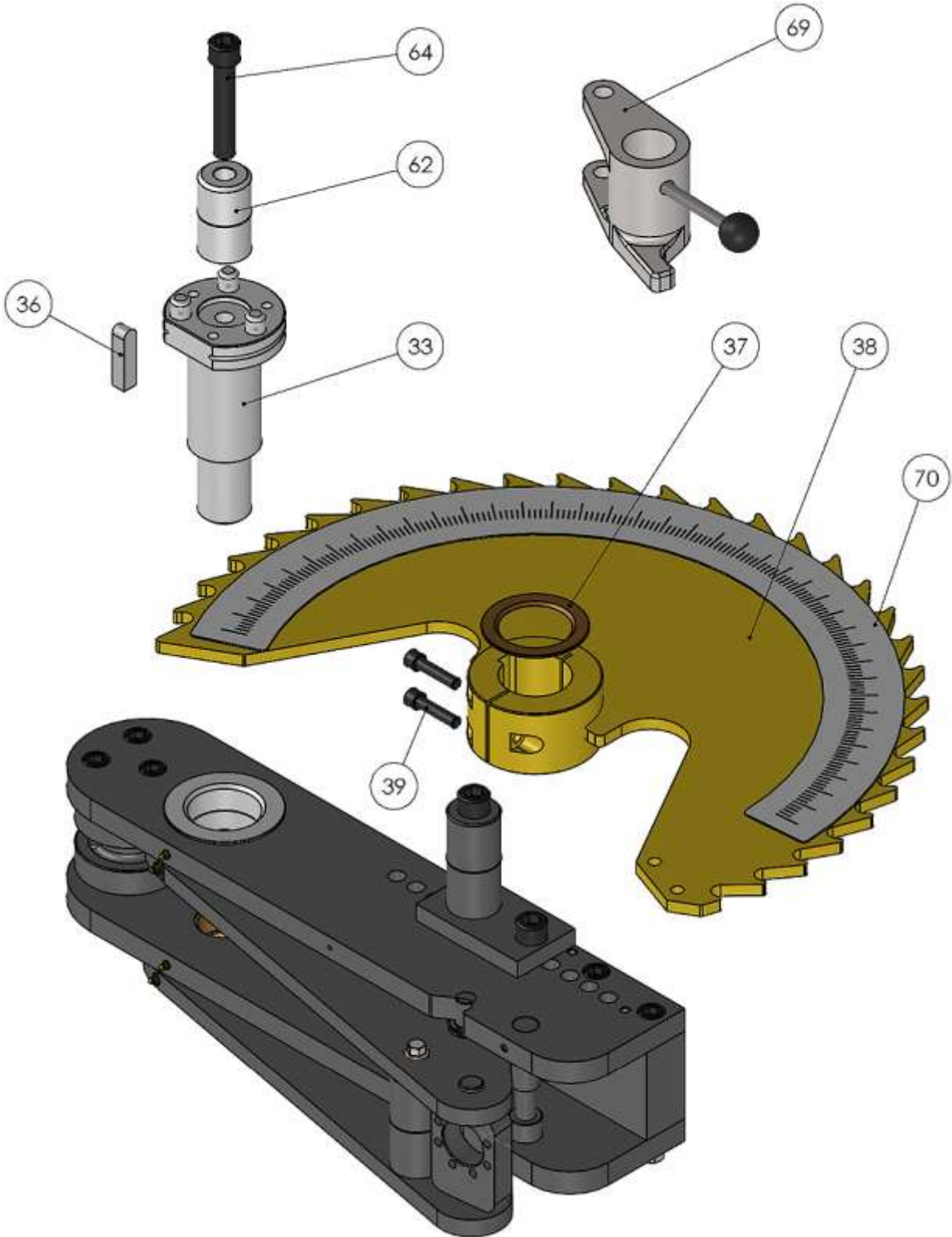


Spring Back Lever Assembly Parts Diagram



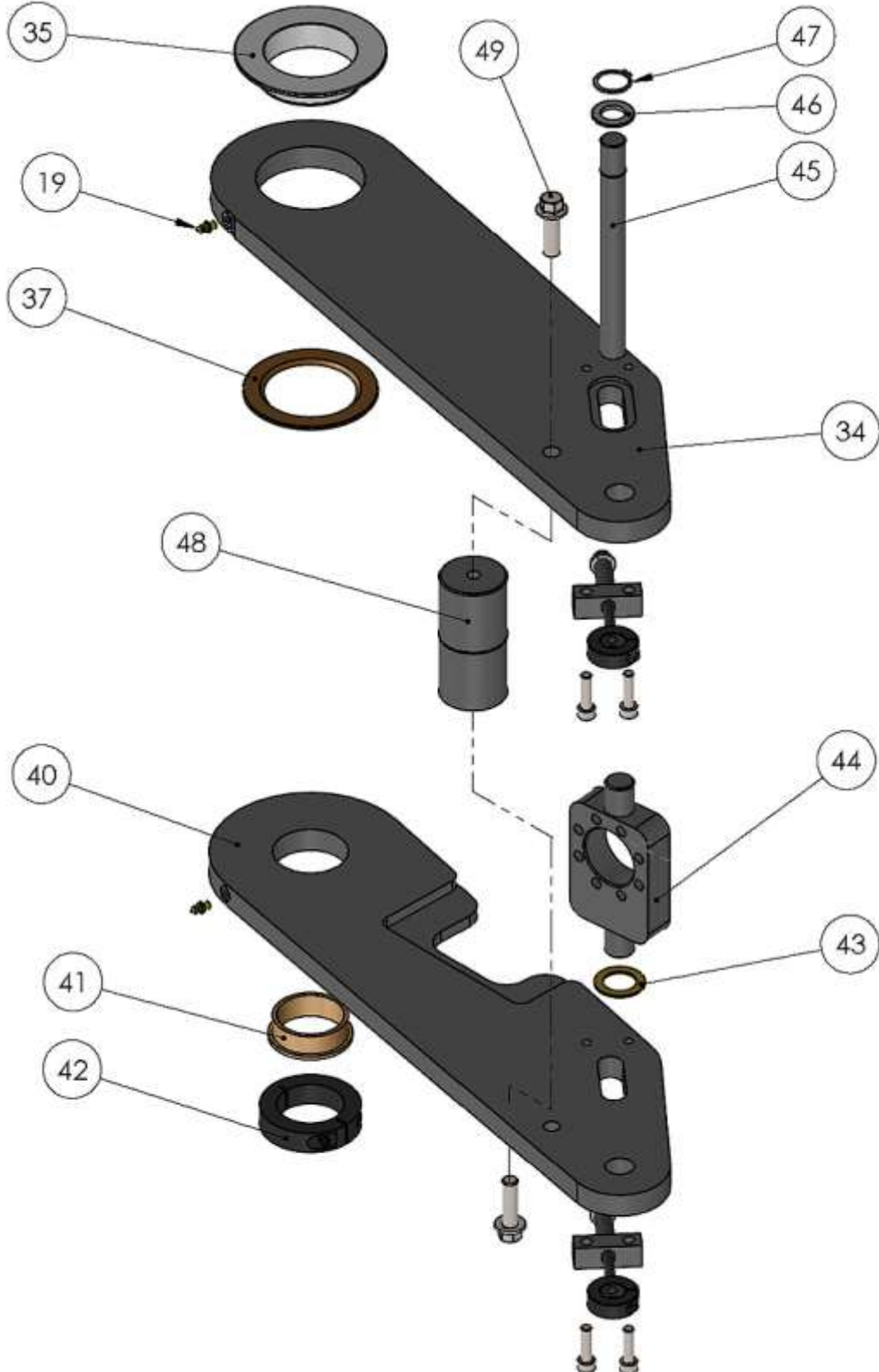


Ratchet Wheel Assembly Parts Diagram



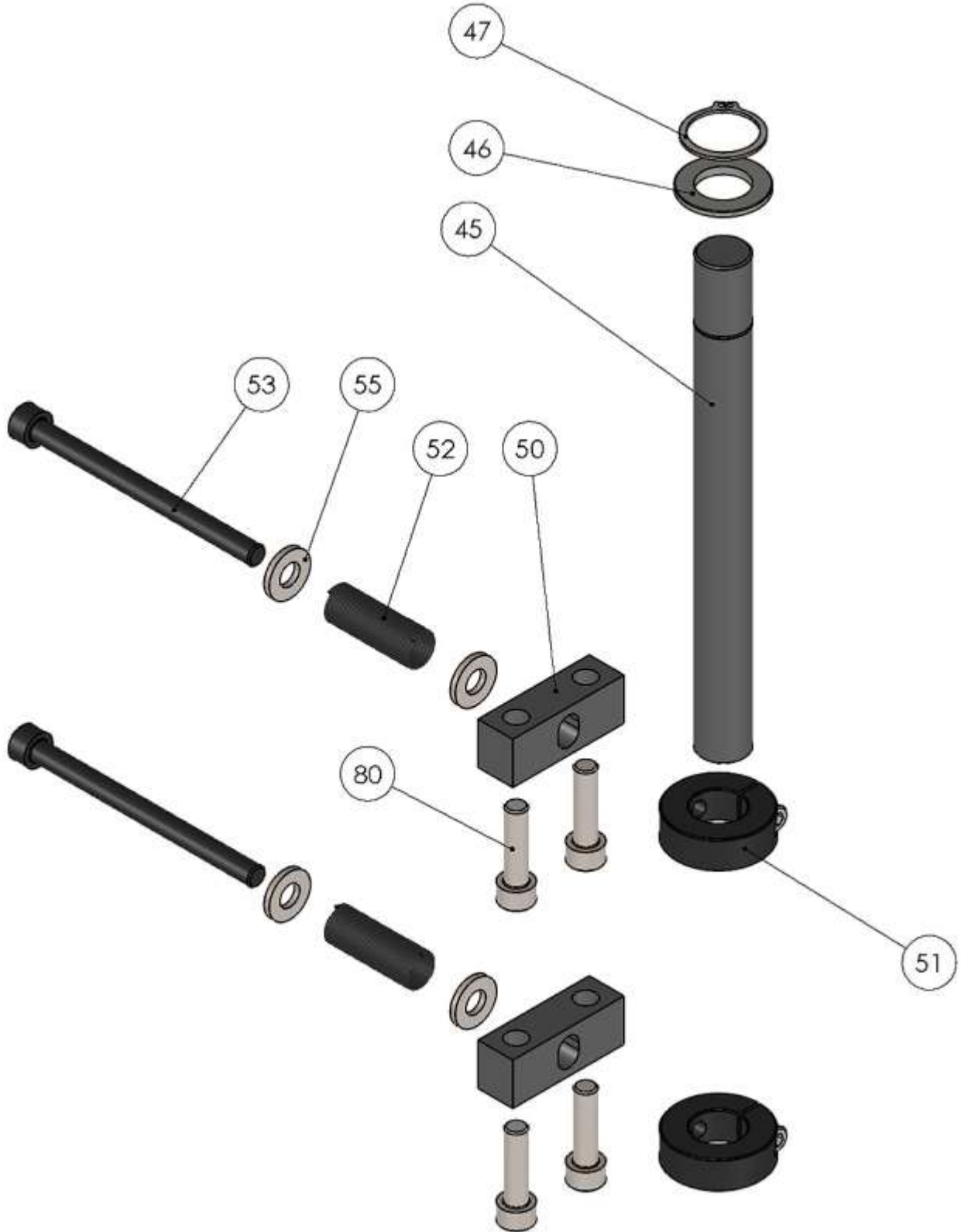


Swing Arm Assembly Parts Diagram



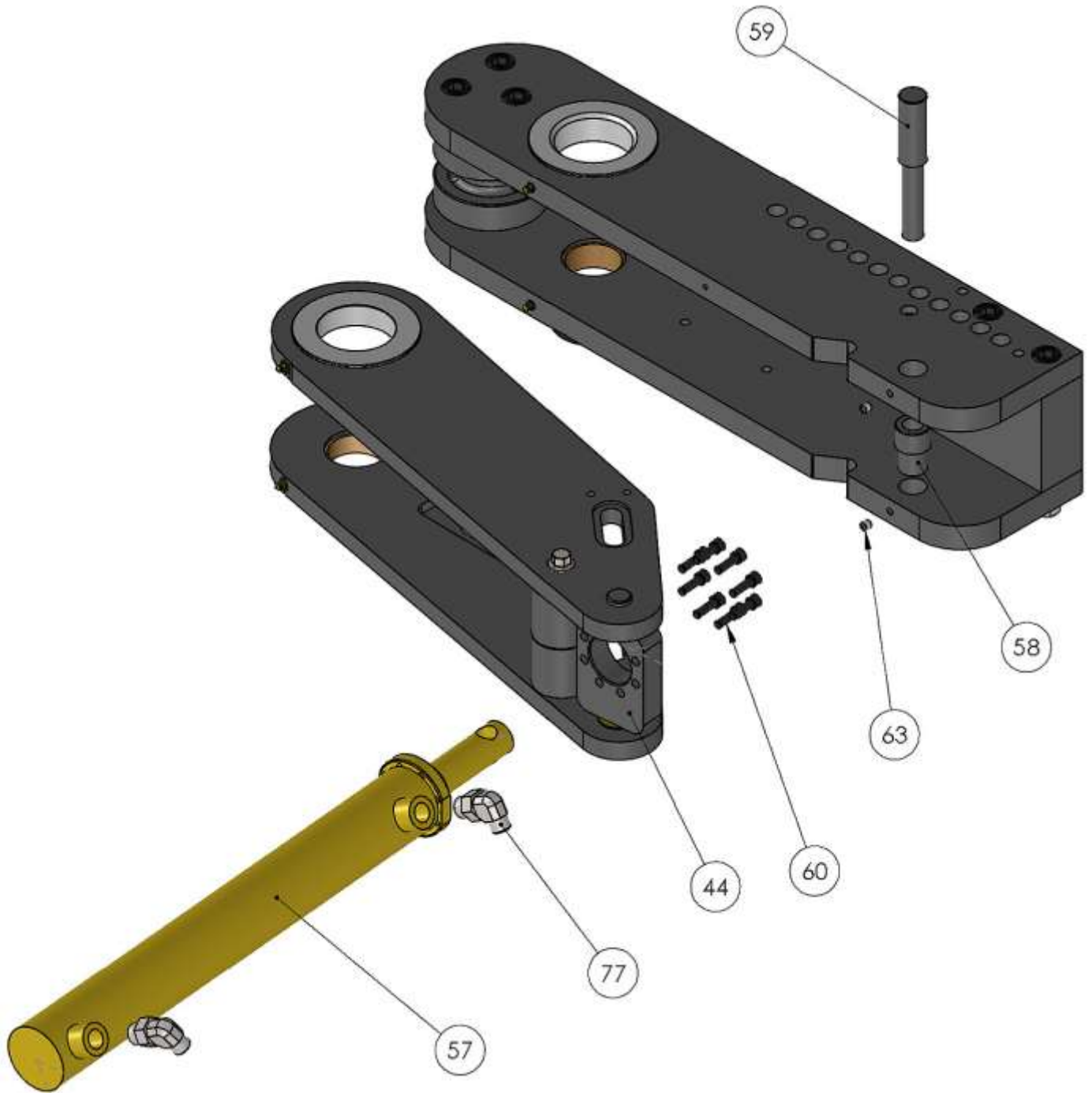


Spring Latch Assembly Parts Diagram





Cylinder Assembly Parts Diagram





Parts List

No.	Part Number	Description	Qty.
1	ME-M100-6A026	Stand Tube	1
2	ME-M100-6A025	Leg Brace	4
3	M12 x 1.75 x 25	Hex Flange	12
4	ME-M100-6A014-V2	Base Plate	1
5	ME-M125-6A014	Pump Mounting Plate (Taiwan)	1
6	M8 x 1.25 x 14	Hex Flange	3
7	ME-M125-7A009	Motor Spacer	2
8	Imperial	3/8 Lock Washer	2
9	ME-M125-6A002	Bottom Plate	1
10	ME-M125-7A001	Spacer Hub	1
11	ME-M125-6A004	Spacer Block	1
12	ME-M125-6A001	Top Plate	1
13	M8 x 1.25 x 20	Hex Flange	4
14	M16 x 2.0 x 50	Hex Flange	5
15	Imperial	3/8 x 2 Slotted Spring Pin	4
16	M16 x 2.0 x 45	SHCS	5
17	PP-0295	Flanged Sleeve Bearing	1
18	M150-7A014	Top Bushing	1
19	.25-28 GREASE ZERK	Straight Grease Zerk	4
20	ME-M125-6A006	Anti SB Bracket	1
21	M100-7A007	Latch Shaft	1
24	M100-6A012	Lever	1
25	M8 x 1.25 x 9.5 x 19	Shoulder Bolt	2
26	PP-0058-M100	Spring	1
27	M8 x 1.25 x 16	SHCS	4
28	PP-0289	3/4" Set Screw Collar	1
29	ME-M100-6A011	Slide Block	1
30	ME-M100-6A013	Link	1
31	M8 x 1.25 x 9 x 9	Shoulder Bolt	1
32	PP-0090	3/4" Split Collar	1
33	ME-M175-7A005	Spindle	1
34	ME-M125-6A003	Top Lever Arm	1
35	M150-7A015	Flanged Sleeve Bushing	1



No.	Part Number	Description	Qty.
36	M150-6A019	5/8 Drive Key	1
37	M300-7A031	Thrust Washer	1
38	ME-M125-5A003	Ratchet Wheel	1
39	M12 x 1.75 x 50	SHCS	2
40	ME-M125-6A005	Bottom Lever Arm	1
41	PP-0294	Flanged Sleeve Bearing	1
42	PP-0293	2.0 Split Clamp Collar	1
43	PP-0935	1.0 ID x 1.5 OD x .0625 THK	1
44	M125-6A008	Clevis Plate	1
45	M125-7A002	Driver Shaft	1
46	M125-7A008	Convex Washer	1
47	BS-0173	3/4" Ext. Retaining Ring	1
48	ME-M125-7A003	Plate Spacer	1
49	M12 x 1.75 x 40	Hex Flange	2
50	ME-M125-6A009	Spring Stop	2
51	ME-M125-7A006	3/4" Clamp Collar Threaded	2
52	PP-0970 (M125)	Latching Spring	2
53	Imperial	M8 x 1.25 x 100 SHCS	2
54	Imperial	1/4-28 x 9/16 SHCS	2
55	Imperial	8mm Flat Washer	4
57	PP-1011	M125 Cylinder	1
58	M125-7A007	Shaft Sleeve	1
59	M125-7A005	Cylinder End Shaft	1
60	Imperial	5/16-18 x 1 SHCS	8
61	PP-1071	3/4" Dowel Pin	3
62	ME-M300-7A003	Center Pin	1
63	M8 x 1.25 x 8	Set Screw	2
64	Imperial	M20 x 2.5 x 110 SHCS	1
65	ME-M150-5A002	Quick Release Assembly "Thin"	1
66	M20 x 2.5 x 150	SHCS	1
67	M20 x 2.5 x 40	SHCS	1
68	M150-5A001	Gold Quick Release	1
69	M150-5A011	Silver Quick Release	1
70	M100-6A019	Degree Sticker	1
71	ME-M150-6A020	Pointer Block (Metric)	1



No.	Part Number	Description	Qty.
72	M125-6A011	M125 Pointer	1
73	M6 x 1.0 x 25	SHCS	1
74	M5 x 0.8 x 5	Set Screw	1
75	PP-0858 (6-F5OLO-S)	Straight O Ring Adapter	2
76	PP-0969 (6-C6LO-S)	90Deg Adapter	2
77	PP-0853 (6-8C5OLO-S)	90Deg Cylinder Fitting	2
78	PP-1294	WEG European Switch	1
79	M5 x 0.8 x 12	SHCS	2
80	M8 x 1.25 x 30	SHCS	4
81	Imperial	3/8-16 x 2.25 HHCS	2
82	PP-0666	Foot Pedal	1
83	PP-1085	M125 Power Unit (120v)	1
85	PP-1075	2Hp (1.5kw) Motor	1
86	LW 0.375	3/8" Lockwasher	4
87	0.375-16 x 1.25 HHCS	3/8-16 x 1.25 Hex Bolt	4

NOTES



BAILEIGH INDUSTRIAL, INC. 1625 DUFEEK DRIVE MANITOWOC, WI 54220

PHONE: 920. 684. 4990 FAX: 920. 684. 3944

WWW.BAILEIGH.COM

BAILEIGH INDUSTRIAL, INC. 1455 S. CAMPUS AVENUE ONTARIO, CA 91761

PHONE: 920. 684. 4990 FAX: 920. 684. 3944

BAILEIGH INDUSTRIAL LTD. UNIT 1 FULLWOOD CLOSE

ALDERMANS GREEN INDUSTRIAL ESTATE

COVENTRY, CV2 2SS UNITED KINGDOM

PHONE: +44 (0)24 7661 9267 FAX: +44 (0)24 7661 9276

WWW.BAILEIGHINDUSTRIAL.CO.UK

BAILEIGH INDUSTRIAL PTY. LTD.

P.O Box 1573, 126 MELROSE DRIVE TULLAMARINE,

VIC 3043 AUSTRALIA

WWW.BAILEIGHINDUSTRIAL.COM.AU