

## Installation And Service Manual

### PORTABLE MID-RISE LIFT Model: MR06

#### **Cargo Claims**

If there is any missing or damaged product during transportation, the buyer must not sign on the shipping paperwork or refuse the shipment. NOTATE ALL DAMAGE OR REFUSE DAMAGED SHIPMENT!




#### DANGER

Read the entire contents of this manual before using this product. Failure to follow instructions and safety precautions could result in serious injury or even death. Make sure all other operators also read this manual. Keep this manual near the machine so that it can be seen by all users. By proceeding with installation and operation, you agree that you are fully understand the contents of this manual and take full responsibility for the use of the product.

# CONTENTS

PROFILE .....	1
IMPORTANT SAFETY INSTRUCTIONS .....	3
I. PRODUCT FEATURES AND SPECIFICATIONS .....	5
II. INSTALLATION REQUIREMENT .....	6
III. INSTALLATION STEPS .....	7
IV. EXPLODED VIEW .....	15
V. OPERATION INSTRUCTIONS .....	19
VI. MAINTENANCE SCHEDULE .....	20
VII. TROUBLE SHOOTING .....	21
VIII. CAR LIFT SAFETY TIPS .....	22
IX. LIFT DISPOSAL .....	22

## Explanation of the safety warning symbols used in this manual

 DANGER	Risk of death or injury
 WARNING	Dangerous or unsafe practices that may result in death or injury
 CAUTION	Dangerous or unsafe practices that may result in personal injury, product damage or property damage
ATTENTION	Conditions that may result in damage to products or property

## **PROFILE**

This instruction manual is specially prepared for you. Your new lift is the product of over a decade of continuous research, testing and development and is the most technologically advanced lift on the market today.

**Please make sure to read through this manual before operating the lift.**

Record the information on the nameplate label here:

Model No.: \_\_\_\_\_

Serial No.: \_\_\_\_\_

Manufacturer date: \_\_\_\_\_

## **WARRANTY**

The warranty period for the steel structure part of new car lift is 5 years, hydraulic components, bronze bushings, sliders and plastic parts are under warranty for 3 years, and electrical components and sync cable, lock release cable warranty for 2 year.

Rubber pads are without warranty. During the warranty period, the manufacturer will repair or replace the defective parts free of charge including shipping costs.

This warranty does not cover damage caused by normal wear and tear, improper use, damage in transit, or damage caused by lack of maintenance.

This warranty is unique and supersedes what is expressed and implied in all other warranties. The manufacturer shall not be liable for any particular, indirect or accidental damage resulting in breach of or delay in the execution of the warranty. The manufacturer reserves the right to design and improve the product and has no obligation to make notice of the changes in advance.

The product warranty based on the above clause is based on the model number and serial number of the equipment. This information must be provided in conjunction with all warranty information at the time of service and warranty.

# SAFETY WARNING LABEL

**! WARNING !**

 <p>Please read the user manual before operation.</p>	 <p>Please lock the safety device before repairing the vehicle.</p>
 <p>Always wear protective shoes and mind your feet during lowering.</p>	 <p>Please keep hands and feet away from "X" or connection points during operation.</p>
 <p>Do not rock or shake raised vehicles</p>	 <p>Unbalance lifting of vehicle is strictly forbidden.</p>
 <p>The vehicle should be parallel with lift platforms.</p>	 <p>Please run away quickly from any falling objects.</p>

PLEASE READ THE PRECAUTIONS CAREFULLY

No.71030134

Fig.1

## **IMPORTANT SAFETY INSTRUCTIONS**

In order to properly maintain your product and ensure operator safety, it is the responsibility of the product owner to read and follow these instructions!

1. Ensure product installation complies with all applicable local regulations and rules, such as Occupational Safety and Health Administration regulations and electrical codes.
2. Ensure that all operators are properly trained, know how to operate the unit safely, and are properly supervised.
3. Do not operate the lift until you are sure all parts are in place and operating correctly.
4. Keep your hands and feet away from the machine. Keep hands and feet away from any moving parts. Keep your feet away from the lift as it descends to avoid pressing on pointed objects.
5. Keep the work area clean. A cluttered workspace can lead to injuries.
6. The machine is only approved for indoor installation and use. Outdoor installation is prohibited.
7. Only trained operators are allowed to handle the lift machine. All untrained persons must stay away from the workplace. Never allow untrained persons to handle or operate the machine.
8. Use the lift properly. Use the lift in the correct way.
9. Warning! Keep persons and objects from the lift when lifting the a vehicle.
10. If the vehicle is at risk of falling, make sure no one is around the lift.
11. Before preparing to approach or service the vehicle, ensure that the safety device is in effect.
12. Dress appropriately when operating machines, and consider wearing non-slip steel-toe shoes for added safety..
13. Beware of electric shock. In order to protect the operator from electric shock, the lift in use must be grounded. Do not connect the green wire to the terminal. This is the ground wire.

14. Danger! The power supply used in this type of lift has high voltage. Please disconnect the power supply before any circuit repair. Unplug in case the power supply is accidentally switched on during maintenance.
15. Warning! There is a risk of explosion. There are parts in the equipment that produce arc light and spark. Do not operate near flammable gas. This machine should not be placed in the lounge or basement.
16. Maintain with care. Keep the machine clean for better and safer operation. Perform proper lubrication and maintenance procedures according to the manual. Keep handles or buttons clean, dry, and free of oil.
17. Stay alert. Use common sense to observe what you are doing and stay alert.
18. Check for damaged parts. Check for adjustments to moving parts, damage to parts, or anything that may affect their operation. Do not use the machine if the parts are damaged.
19. Do not remove relevant safety parts from the machine. Do not use a lift if it is damaged or missing.
20. Only operate the lift at temperature between 5°C to 40°C(41°F to 104°F).



**DANGER** Be very careful when installing, operating, maintaining or repairing this equipment. Failure to comply may result in property damage, product damage, injury or (in very rare cases) death. Ensure that only authorized personnel operate the equipment. All repairs must be carried out by an authorized technician. Do not modify the machine, this voids the warranty and increases the probability of personal injury or property damage. Ensure to read and follow this instructions on the label.

# I. PRODUCT FEATURES AND SPECIFICATIONS (See Fig.2)

## PORTABLE MID-RISE MODEL MR06

- Mechanical lock with manual lock release, no extra air required.
- Portable design: the lift can easily move to the required sit.
- Two kinds of rubber pads included



## MODEL MR06 SPECIFICATIONS

Model	Lifting Capacity	Lifting Time	Lifting Height	Max locking height	Min Height	Swing Width	Overall Length	Platform Width	Motor
MR06	6000lbs	68S	42 15/16"	41 3/4"	4 15/16"	66 5/16"	74 3/16"	40 3/16"	1.0HP

**⚠ CAUTION** When driving the vehicle, stay in the middle between the platforms. If you hit any part of the lift, you could damage the car or lift.

## II. INSTALLATION REQUIREMENT

### A. TOOLS REQUIRED

✓ Screw Set



✓ English Spanner (12")



✓ Wrench sets: (13#, 15#, 17#, 19# )



✓ Hook spanner (40~42mm)



✓ Pliers



**Fig. 2**

### B. POWER SUPPLY

The power supply capacity must be more than 2.0HP, with a cord larger than 12AWG, and must be properly grounded.

**⚠ DANGER** All electrical wiring must be performed by a licensed and certified electrician. Attempting to connect the circuit without proper certification may result in damage to the lift or electrocution, resulting in serious injury or death.

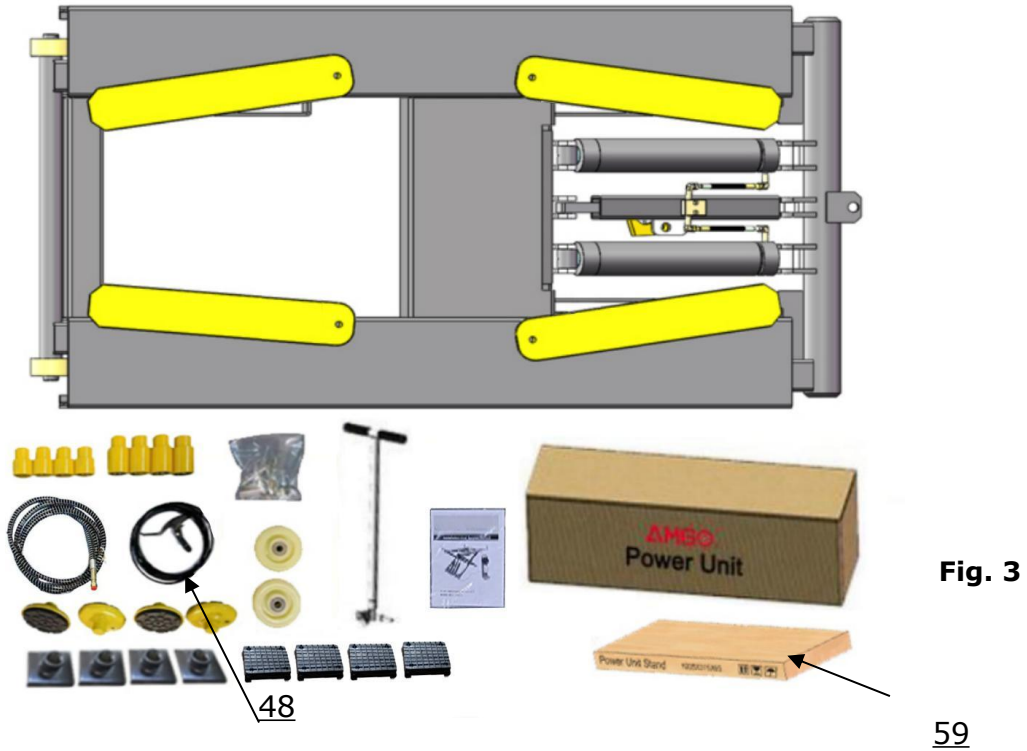


### III. INSTALLATION STEPS

**A. Check the parts before assembly, confirm all the parts are completed.**

1. Packaged lift, power unit and power unit stand and telescoping dolly.

Move the parts aside, open the outer packing and check the parts according to the shipment parts list (See Fig. 3).



**Fig. 3**

2. Check the parts of the parts bag according to the parts bag list (See Fig. 4).



**Fig.4**

3. Open the carton of power unit stand and check the parts .(See Fig. 5).

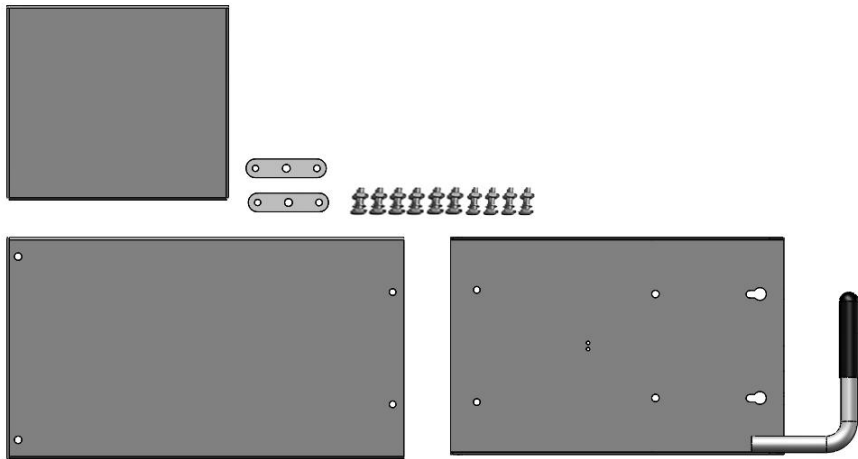


Fig.5

**B. Install power unit stand, lock release handle and telescoping dolly.  
(See Fig. 6)**

1. Assemble power unit stand, safety release handle and U-shaped pipe strap.

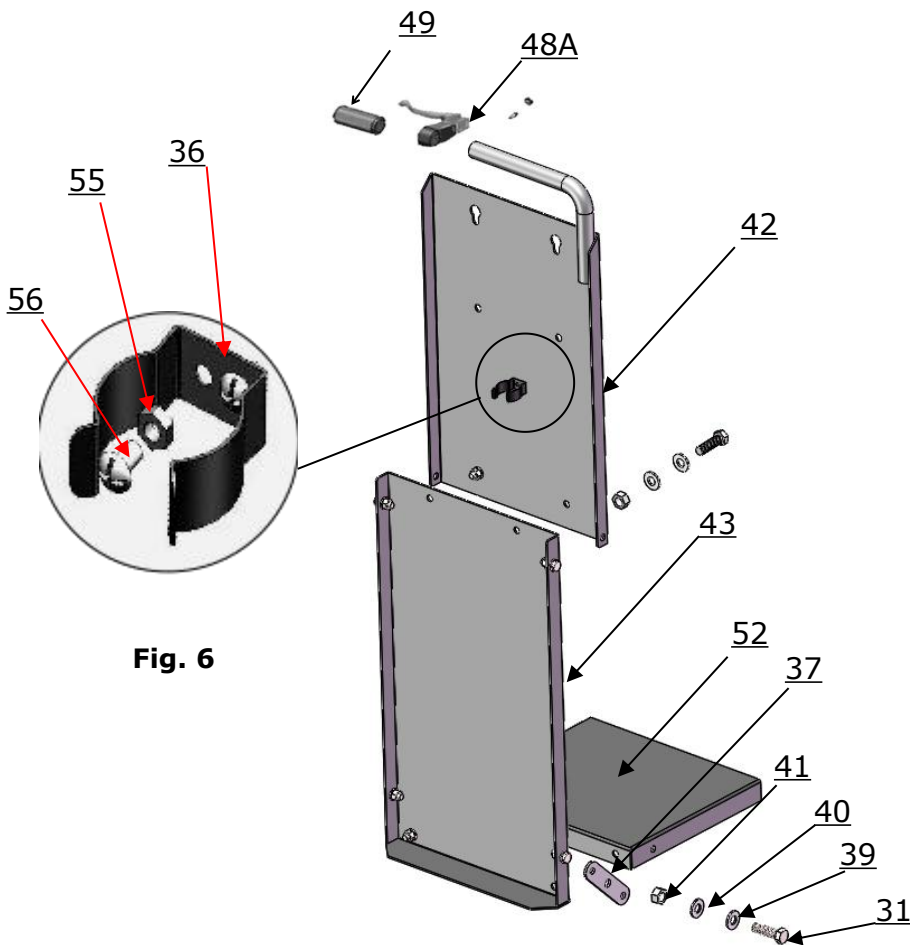
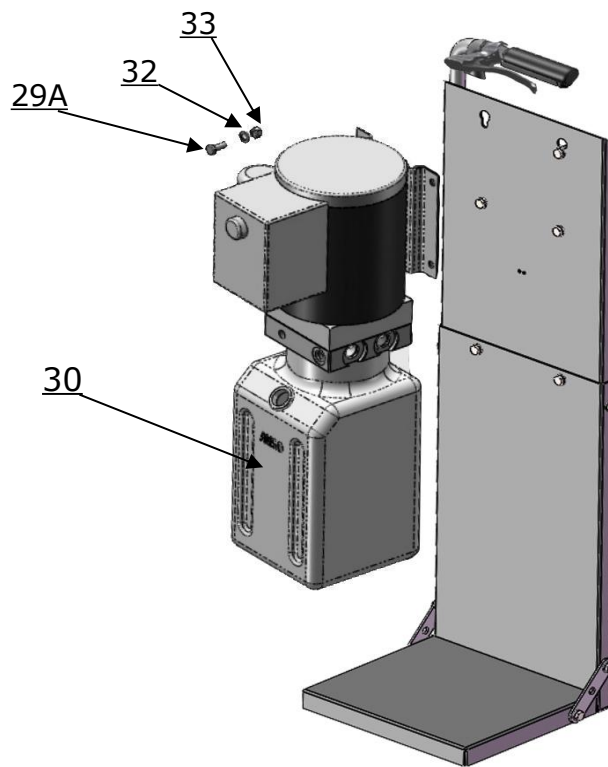


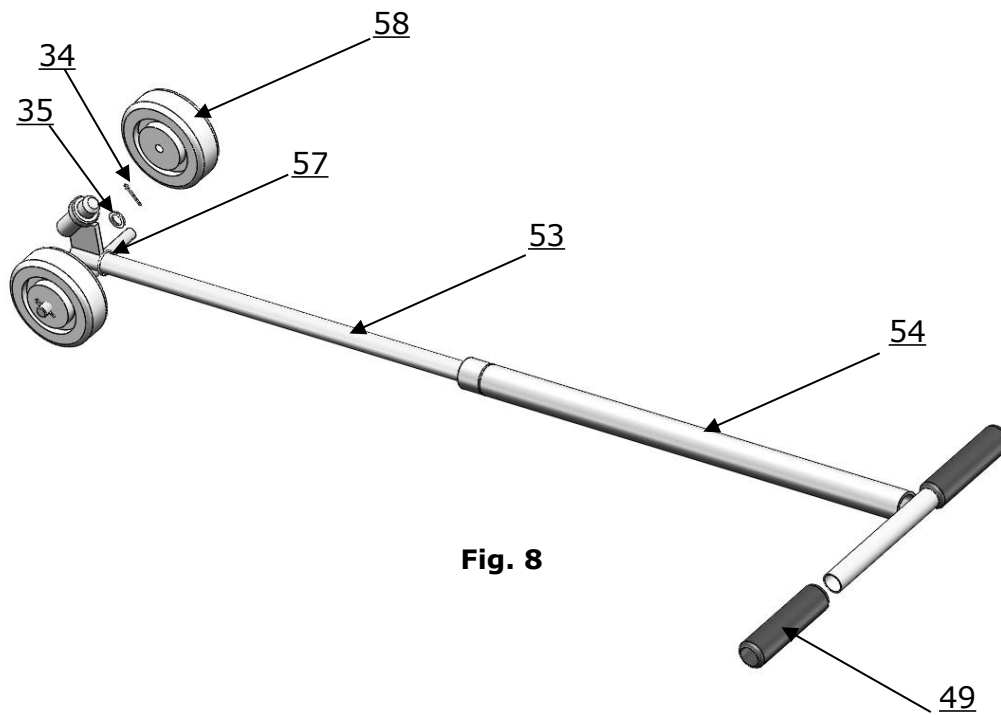
Fig. 6

2. Install the power unit.



**Fig. 7**

3. Install the telescoping dolly.

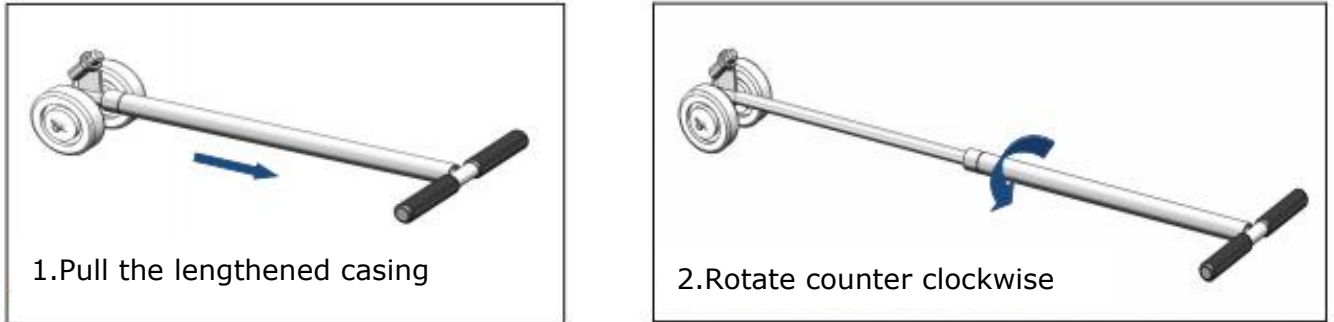


**Fig. 8**

#### 4. Instruction of telescoping dolly.

4.1 To use the dolly, pull the extension casing to the longest and then rotate it counterclockwise until the rod is tightened with the casing.

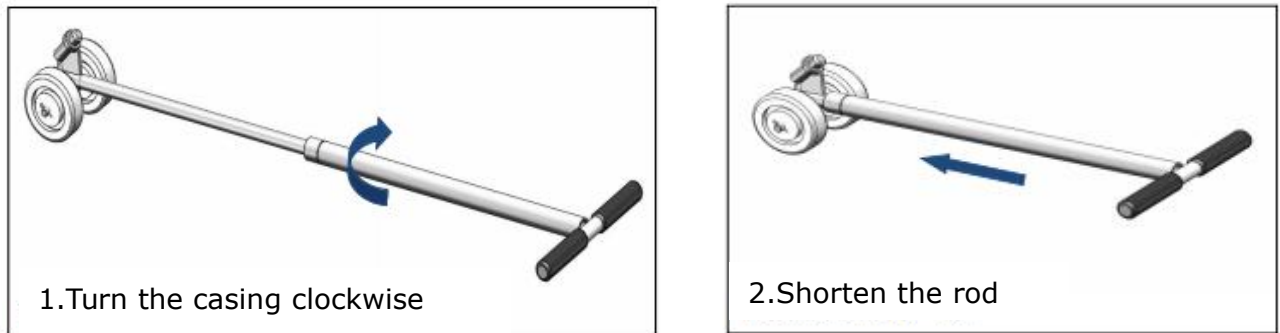
**(See Fig. 9)**



**Fig. 9**

4.2 After finishing the work, turn the casing clockwise, shorten the rod to the shortest position and hang it into U-shaped pipe strap installed on back of the power unit stand.

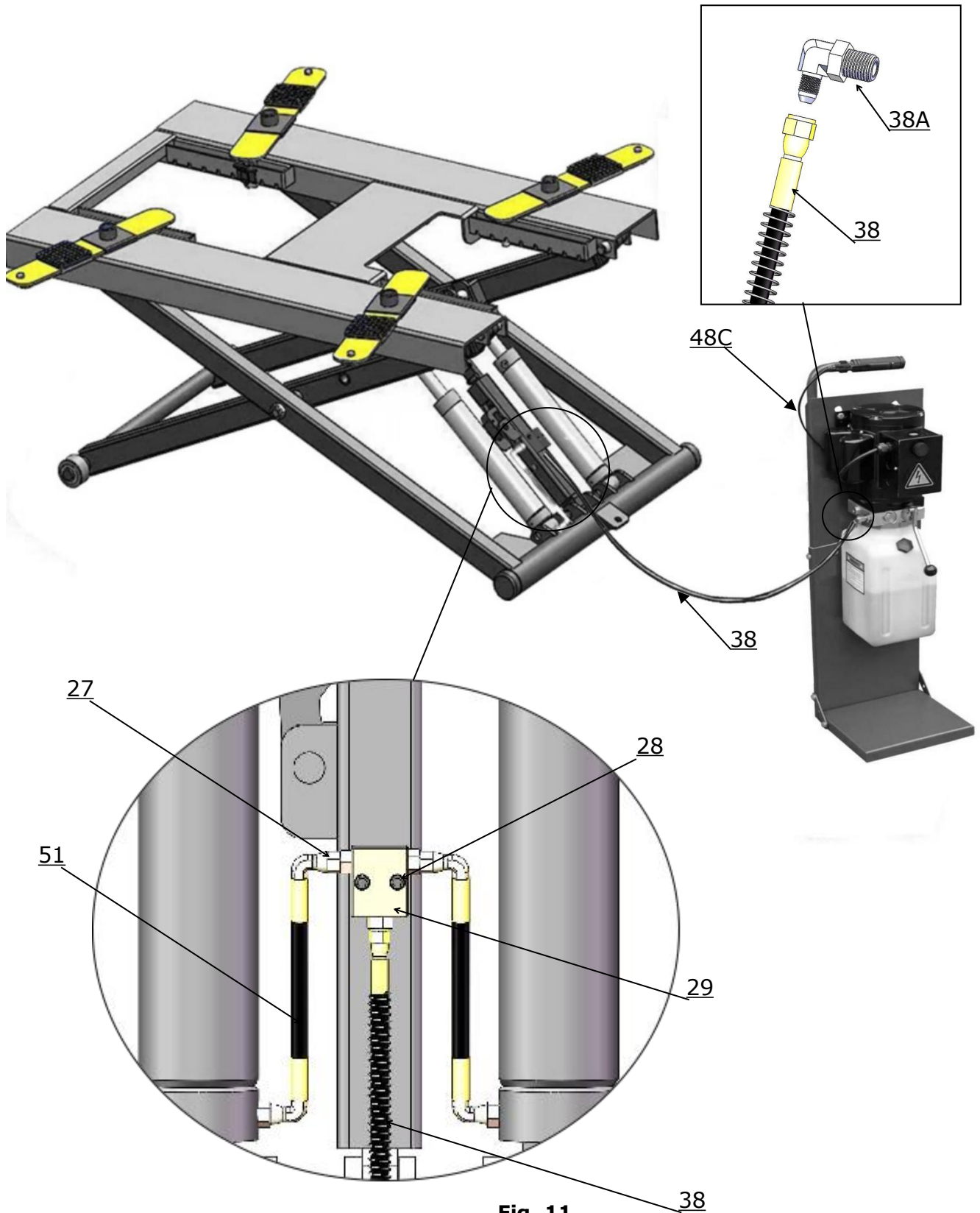
**(See Fig. 10)**



**Fig.10**

**C. Install oil hose and lock release cable tube. (See Fig. 11)**

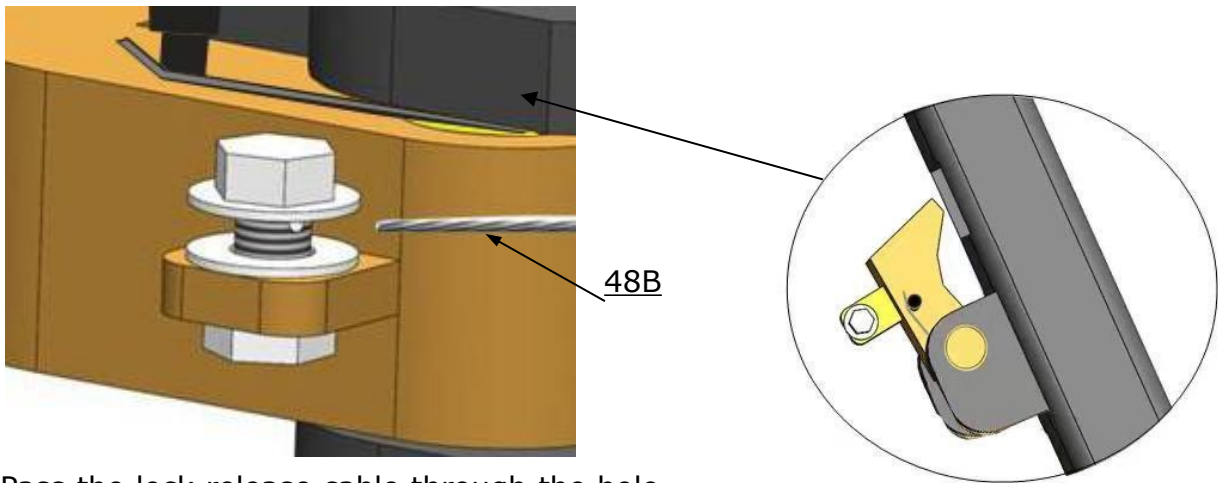
Connect the oil hoses and lock-release cable tube as shown below.



**Fig. 11**

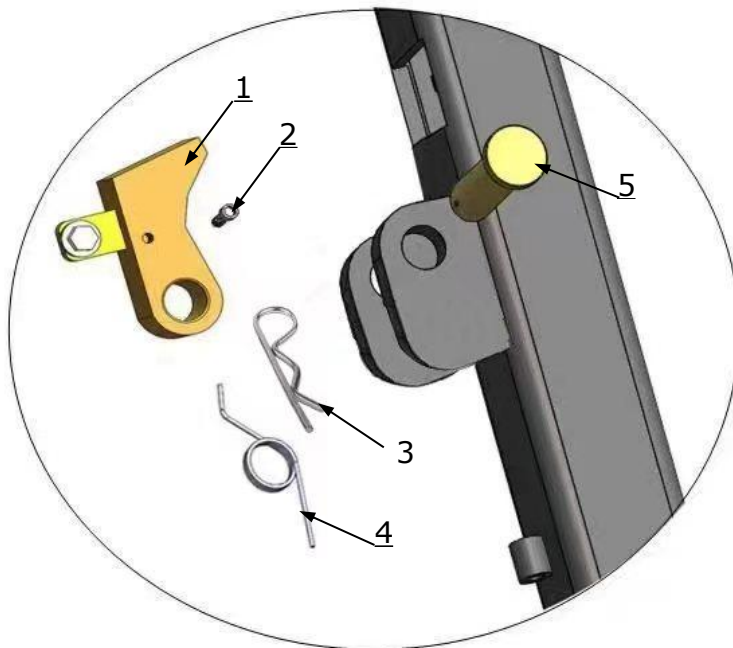
## D. Install safety device and lock release cable

Prepare the safety device parts to install the lock release cable.



Pass the lock release cable through the hole in the bolt and then tighten the nut.

**Fig. 12**



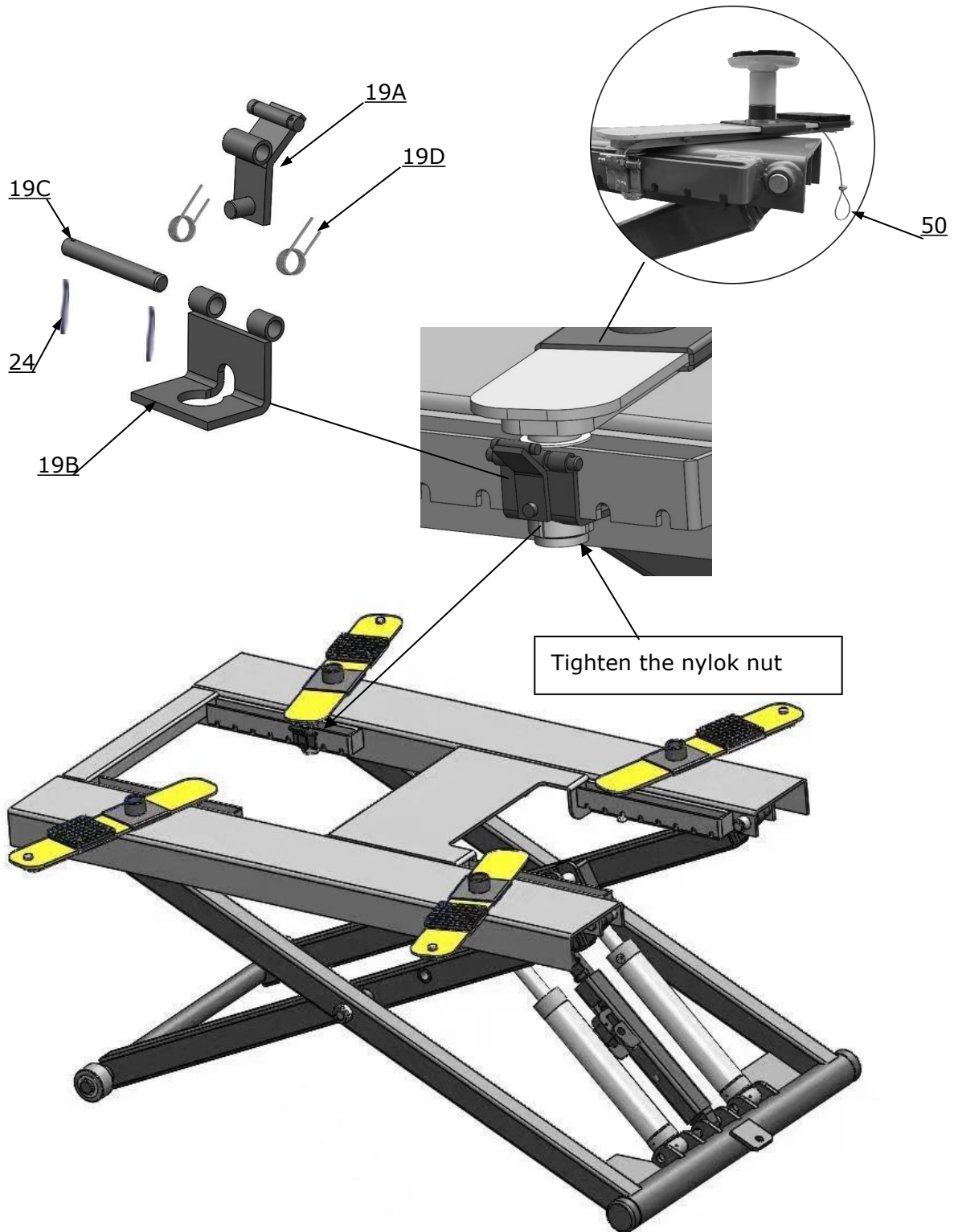
**Fig. 13**

Item	Part#	Description	QTY
1	11640150	Safety block	1
2	81400438	Hex bolt M5*10	1
3	10209012	Snap pin $\phi$ 3.2	1
4	10640155	Spring $\phi$ 23* $\phi$ 27*2	1
5	11640154-01	Safety Pin $\phi$ 22*71	1

### E. Adjustment of sliding arm.

Raise the lift and lock it at around 30" height, tighten the nylok nut of sliding arms.

( Note: make sure the arms can move from side to side) **(See Fig. 14)**



**Fig. 14**

## F. Install electric system

Connect the power source according to the data plate of Motor.

Note: For the safety of operators, the lift must be well grounded.

### Single phase motor (See Fig.15)

Connecting the two power supply wires to terminals of AC contactor marked **L1, L3**.

The ground wire is connected to the ground wire terminal. **(Wire instruction inside the box)**

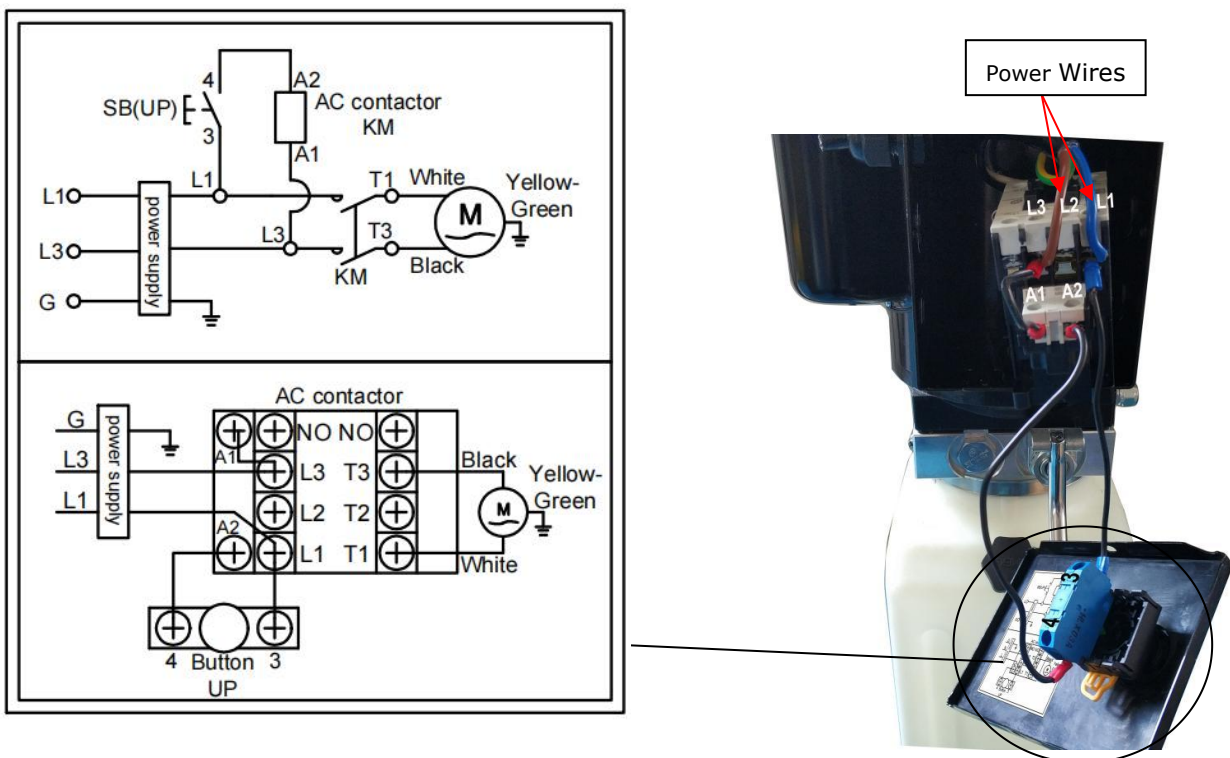


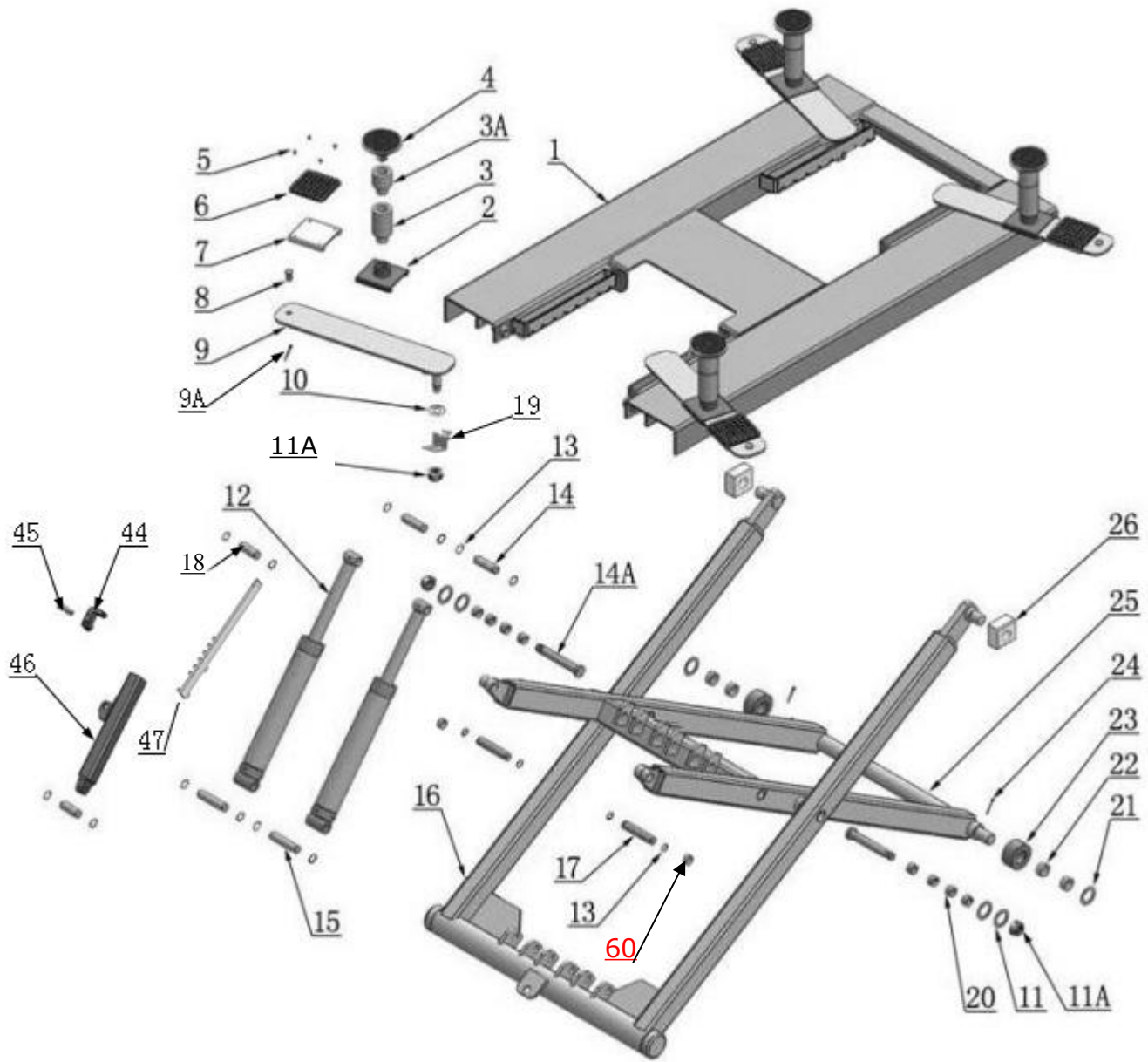
Fig. 15

**⚠ DANGER** All electrical wiring must be performed by a licensed and certified electrician. Before ensuring the main power has disconnected from the lift and cannot be re-applied until all procedures have been completed, do not perform any maintenance or installation to the lift.



# IV. EXPLODED VIEW

Model MR06



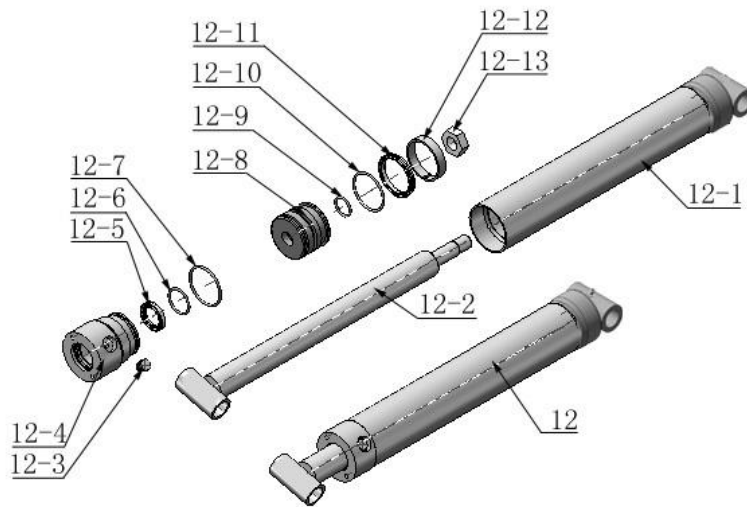
**Fig. 16**

## PARTS LIST FOR MODEL MR06

Item	Part#	Description	QTY.	
1	11640001-01	Platform	1	
2	11640002A	Stackable adapter bracket	4	
3	11209052B	Extension adapter (2.5")	4	
3A	11209051B	Extension adapter (1.5")	4	
4	10201046A	Rubber pad support assy.	4	
5	10209009	Round head bolt M6*8	16	
6	10680004	Rubber pad	4	
7	10640003	Support frame	4	
8	11640023A	Limit pin	4	
9	11640004	Sliding arm	4	
10	10640005	Flat washer $\Phi 27$	4	
11	10640109	Flat washer $\Phi 44 * \Phi 25.5 * 2$	4	
11A	10620022	Nylok nut M24*2.5	6	
12	10640116	Cylinder $\phi 70 * 290$	2	
13	10206032	Clip ring $\Phi 25$	12	
14	11640057	Pin for cylinder	2	
14A	11640012-01	Pin for scissor	2	
15	11640006A	Pin for cylinder (bottom)	2	
16	11640017B-01	Outer scissor	1	
17	11640009	Scissor pin	2	
18	11640130-01	Pin for safety device	2	
19	19A	11640134	Sliding limit block	4
	19B	11640135	Sliding block	4
	19C	11640136	Pin	4
	19D	10640127	Spring	8
20	10203004A	Bush $\Phi 31 * \Phi 25.1 * 21$	8	
21	10420023A	Flat washer $\phi 36 * \phi 65 * 3$	2	
22	1003205003	Bush $\Phi 39 * \Phi 35 * 20$	4	
23	11640022-01	Roller	2	
24	10630107	Cotter pin	10	
25	11640016B-02	Inner scissor	1	
26	10610003A	Slider	2	
27	10209130	Straight fitting 1/4NPT*1/4JIC	5	
28	10420138	Socket bolt M6*16	2	
29	1103012001	Three-way manifold block	1	
29A	10209003	Hex bolt M8*25	4	
30	071103	Power unit	1	
31	10209043	Hex Bolt M8*20	10	
32	10209004	Rubber ring	4	

<b>Item</b>	<b>Part#</b>	<b>Description</b>	<b>QTY.</b>
33	10209005	Nylok nut M8	4
34	10630107	Cotter pin $\phi 3 \times 20$	2
35	10206006	Flat washer $\phi 12$	2
36	1003085005	U-shaped pipe strap	1
37	1102022004-01	Fixing connecting plate	2
38	1003015002-01	Oil hose assy. 1/4" x 120 11/16"	1
38A	10209060	90° fitting 3/8SA <sup>EO/R</sup> (M)×1/4JIC(M)	1
39	10209033	Flat washer $\phi 8$	10
40	10209034	Lock washer $\phi 8$	10
41	10217002	Hex nut M8	10
42	1103334010A-01	Power unit stand plate #1	1
43	11033334012	Power unit stand plate #2	1
44	11640150	Safety block	1
45	11640154-01	Pin for safety block $\phi 22 \times 71$	1
46	11640153-01	Self-locking support tube	1
47	1103012002A	Self-lock support plate	1
48	10640141	Release handle assy. (with wire)	1
48A	10640115	Release handle	1
48B	10640156	Lock release cable L= 165 3/16"	1
48C	10640121	Lock release cable tube L= 153 15/16"	1
49	10640126	Handle sleeve	3
50	10640133	Lock release cable L= 31 7/8"	4
51	1003015003-01	Oil hose 1/4" x 7 9/16	2
52	1103334011	Base	1
53	1103334002	Telescoping dolly	1
54	1103334009	Lengthened casing	1
55	10420161	Nylok nut M4	2
56	102201104	Round head bolt	2
57	1003085005	Snap ring $\phi 24 \times 2$	1
58	1003275021	Wheel 4"	2
59	1103085002	Power unit stand assy	1
60	1003015008	Bush $\phi 28 \times \phi 25 \times 25$	2

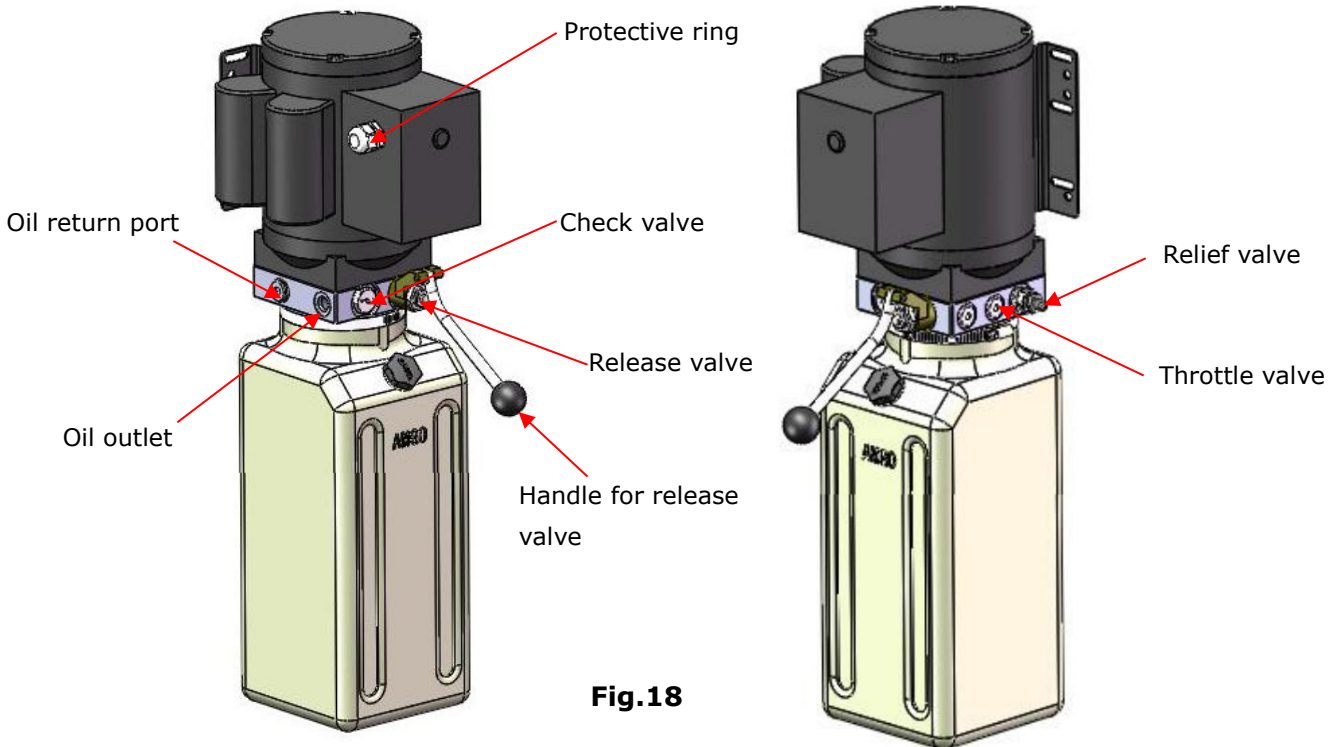
## CYLINDER (10640116)



**Fig.17**

Item	Part#	Description	QTY.
12-1	11640657	Bore weldment	2
12-2	11640031A	Piston rod	2
12-3	10201034	Bleeding plug	2
12-4	11203083	Head cap	2
12-5	10209078	Dust ring	2
12-6	10201032	O ring	2
12-7	10203084	O ring	2
12-8	11203079	Piston	2
12-9	10206069	O ring	2
12-10	10203082	O ring	2
12-11	10620054-01	Y ring USH	2
12-12	10410086	Support ring	2
12-13	10206071	Nut	2

## Manual Power unit valve position instruction



## V. OPERATION INSTRUCTIONS

1. Connect the oil hoses between cylinder and power unit, connect the power wires, then the lift is ready to use.
2. When lifting an vehicle (the center of gravity of the car must be in the middle of the lift) , adjust the sliding arms and select the appropriate rubber pads.  
Adjust the position of sliding arms before lifting according to following steps.

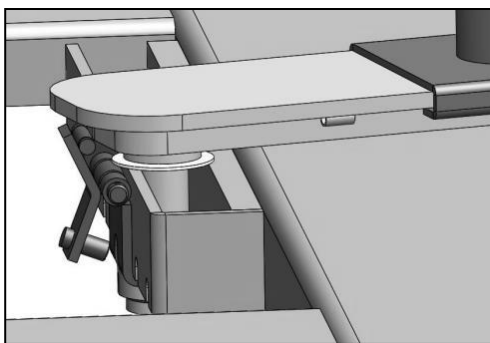


Fig.19

a. Pull the cable to unlock the arm

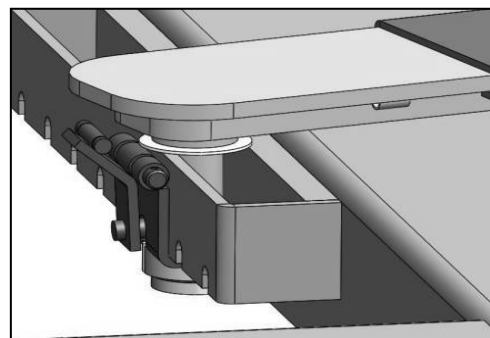
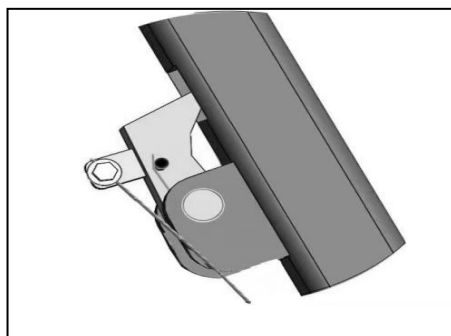


Fig.20

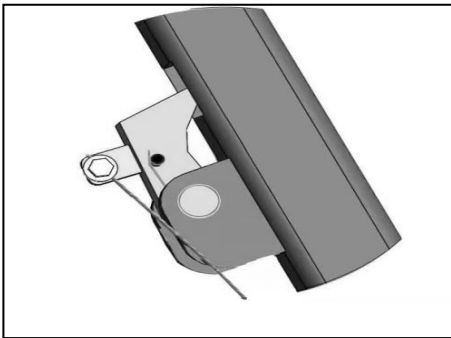
b. Slide the arms to appropriate position, loose the cable to activate the lock.



Note: Raise it to proper working height, then lower the lift and lock it at safety device before working.

Fig.21

3. Lower the lift: raise the lift out of safety position ( **fig 22**), clench the lock release handle (**fig. 23**), then press the release valve handle to lower the vehicle (**fig 24**)



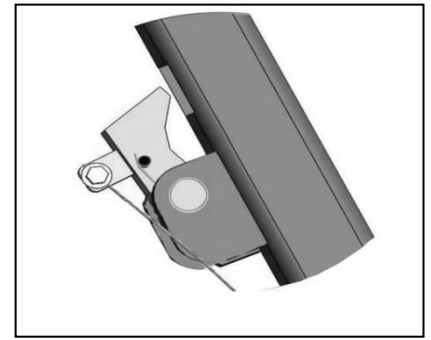
a. raise the lift out of safety position.

**Fig.22**



b. Clench the lock release handle

**Fig.23**



c. press the release valve handle to lower the lift.

**Fig.24**

## **VI. MAINTENANCE SCHEDULE**

### **Monthly:**

1. Check all fitting, bolts and pins to insure proper mounting.
2. Make a visual inspection of all hydraulic hoses/lines for possible wear or leakage.

### **Every six months:**

1. Make a visual inspection of all moving parts for possible wear, interference or damage.
2. Check all fastener and re-torque.

### **Cylinder Maintenance:**

In order to extend the life of the cylinder, please follow the following requirements.

1. Recommend to use N46 anti-wear hydraulic oil.
2. The hydraulic oil of the lifts should be replaced regularly during using. Replace the hydraulic oil 3 months after the first installation, Replace the hydraulic oil once a year afterwards.
3. Make at least one full trip raising and lowering per day. For exhausting the air from the system, which could effectively avoid the corrosion of the cylinder and damage to the seals caused by presence of air or water in the system.
4. Protect the outer surface of the oil cylinder's piston rod from bumping and scratching, and timely clean up the debris on the oil cylinder dust-ring and the piston rod.

## VII. TROUBLE SHOOTING

TROUBLE	CAUSE	REMEDY
Motor does not run	<ol style="list-style-type: none"> <li>1. Button does not work</li> <li>2. Wiring connections are not in good condition</li> <li>3. Motor burned out</li> <li>4. Safety Switch is damaged</li> <li>5. AC contactor burned out</li> </ol>	<ol style="list-style-type: none"> <li>1. Replace button</li> <li>2. Repair all wiring connections</li> <li>3. Repair or replace motor</li> <li>4. Replace the Safety Switch</li> <li>5. Replace AC Contactor</li> </ol>
Motor runs but the lift is not raised	<ol style="list-style-type: none"> <li>1. Gear Pump out of operation</li> <li>2. Release Valve in damage</li> <li>3. Relief Valve or Check Valve in damage</li> <li>4. Low oil level</li> <li>5. Overload lifting or low pressure</li> </ol>	<ol style="list-style-type: none"> <li>1. Repair or replace</li> <li>2. Repair or replace</li> <li>3. Repair or replace</li> <li>4. Fill tank</li> <li>5. Check load or adjust the pressure</li> </ol>
Lift does not stay up	<ol style="list-style-type: none"> <li>1. Release Valve out of work</li> <li>2. Relief Valve or Check Valve leakage</li> <li>3. Cylinder or Fittings leaks</li> </ol>	Repair or replace
Lift raises slowly	<ol style="list-style-type: none"> <li>1. Oil line is jammed</li> <li>2. Motor running on low voltage</li> <li>3. Oil mixed with air</li> <li>4. Gear Pump leaks</li> <li>5. Overload lifting</li> </ol>	<ol style="list-style-type: none"> <li>1. Clean the oil line</li> <li>2. Check Electrical System</li> <li>3. Fill tank</li> <li>4. Repair or replace</li> <li>5. Check load</li> </ol>
Lift cannot lower	<ol style="list-style-type: none"> <li>1. Safety device are in activated</li> <li>2. Release Valve in damage</li> <li>3. Oil system is jammed</li> </ol>	<ol style="list-style-type: none"> <li>1. Release the safeties</li> <li>2. Repair or replace</li> <li>3. Clean the oil system</li> </ol>

## VIII. CAR LIFT SAFETY TIPS

Put this safety tips in a place where you can always alert the operator. Please reference to the lift manufacturer's manual for specific information about the lift.

1. Check the lift daily. If the machine breaks down or has damaged parts, do not operate, and use original equipment parts to repair.
2. **Do not** overload . The rated weight of the manufacturer design is indicated on the label of the lift.
3. Position control of the vehicle and operation of the lift can only be done by a trained and authorized person.
4. **Do not** lift a car with occupants inside. Keep the customers or bystanders away from the lift.
5. Keep the area around the lift free of obstacles, lubricating oil, grease, garbage and other debris for a long time.
6. Carefully drive the vehicle onto the lift and lifting up to the required height for operation. **Noted:** lift it high enough if you are working underneath, and make sure the safety devices are locked.
7. **Noted:** removing( install) parts from(to) a vehicle would cause a sudden shift of gravity which may result in instability of the vehicle. Please refer to the vehicle manufacturer's service manual as a recommended procedure if you need remove/install parts from(to) the vehicle
8. Before lowering the lift , make sure all obstacles underneath, include tool tray, tool rack etc., are all removed.

## X. LIFT DISPOSAL

When the car lift cannot meet the requirements for normal use and needs to be disposed, it should follow local laws and regulations.





**Address:**

SC Division: 1931 Joe Rogers Jr Blvd, Manning, SC 29102, USA

TX Division: 4310 Adler Dr., Suite #200, Dallas, TX 75211, USA

<http://www.amgohyd.com>

Manual No.: **72215507**  
Revision Date: **2024/07**